

M

A

K

Catalogue 2022 / 2023

Welcome to our comprehensive catalogue which showcases the full range of products offered by MAK Distribution Ltd.

We pride ourselves on our excellent reputation for providing top quality products and excellent customer service. We are completely dedicated to total customer satisfaction and our enthusiastic service team are always happy to help.

With a wealth of experience and knowledge we are recognised as one of the UK's leading distributors of kitchen components supplying the UK Kitchen trade.

MAK Distribution is ideally placed in a central distribution network with close links to major motorways. We offer nationwide delivery to your specified address. Alternatively you can call and collect and whilst here meet the team and have a look at our showroom and presentation area showcasing our kitchen ranges.

- Close to M18 Junction 4 (2 miles)
- Robin Hood Airport (11 miles)
- Doncaster Train Station (4 miles).

Delivery

- To guarantee a next day delivery, please place orders before 12.00pm the day prior to your designated delivery day as shown on the map.
- Orders with a value of over £200 net can be guaranteed no delivery charges.
- Wherever possible we will deliver on our MAK Distribution vehicles.
- Some areas may be subject to additional delivery charges.
- Scotland – 3 day courier service available.

MAK Distribution have developed a fantastic reputation for our professional delivery service. We aim to deliver our products using our own fleet of vehicles as quickly and efficiently wherever possible.

We also offer an overnight courier service with the most competitive delivery charges.

Delivery dates and prices are subject to change.

For any further information please contact the sales office on: **01302 888744**

MAK Distribution Ltd

Units 3-6 Century Close, Kirk Sandall Industrial Estate, Doncaster, South Yorkshire, DN3 1TR

T: 01302 888744 F: 01302 888687 E: sales@makdistribution.co.uk www.makdistribution.co.uk



Index



Doors 4-49

Door Collections at a Glance	4-9
Langold	10-12
Jazi	13-23
Urbani	24-32
Eastwood	33-35
Hayton	36-38
Westwood	39-40
Gainsborough	41-43
Vermuyden	44-46
Glebe	47-49

The Colour Studio 50-80

The Timber Colour Studio	52-71
The Matt Colour Studio	72-80

Worktops 81-102

Timber Worktops	81
MAKStone Worktops	82-102

Sinks & Taps 103-117

Handles 118-119

Accessories 120-122

Storage Solutions 123-135

Carcases 136-139

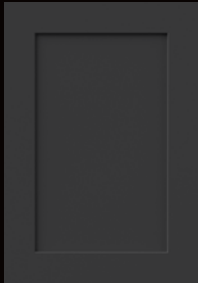
Hettich 140-143

Misc Fitting 144-145

Technical Information 146-152

Door Collections at a Glance

Langold. 18mm with 80mm frame. Painted Solid MDF – No V Groove.



Langold Matt Anthracite



Langold Matt Dust Grey
Page 12



Langold Matt Light Grey



Langold Matt Silver Grey
Page 11



Langold Matt Smoke Blue
Page 10



Langold Matt White
Page 12



Langold Paint to Order
Pages 50-80

Door Collections at a Glance

Jazi Handleless. 22mm Lacquered.



Jazi Gloss Alabaster
Page 13



Jazi Gloss Anthracite
Page 15



Jazi Matt Anthracite
Page 22



Jazi Gloss Cashmere
Page 16



Jazi Gloss Dust Grey
Page 14



Jazi Matt Dust Grey
Page 20



Jazi Gloss Ivory
Page 17



Jazi Matt Light Grey
Page 20



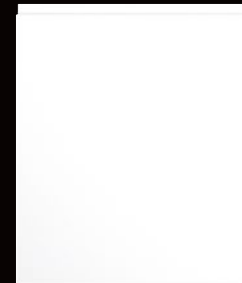
Jazi Gloss Light Grey
Page 18



Jazi Gloss Silver Grey
Page 19



Jazi Gloss White
Page 21



Jazi Matt White
Page 23



Jazi Paint to Order
Pages 50-80

Door Collections at a Glance

Urbani Slab. 18mm Lacquered.



Urbani Gloss Anthracite
Page 25



Urbani Matt Anthracite
Page 30



Urbani Gloss Cashmere
Page 26



Urbani Matt Dust Grey
Page 24



Urbani Gloss Light Grey
Page 27



Urbani Gloss Silver Grey
Page 28



Urbani Matt Silver Grey
Page 31



Urbani Gloss White
Page 29



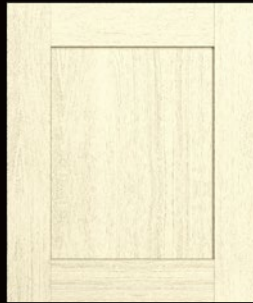
Urbani Matt White
Page 32



Urbani Paint to Order
Pages 50-80

Door Collections at a Glance

Eastwood. Solid Timber Shaker. 20mm.



Eastwood Alabaster
Page 33



Eastwood Dust Grey
Page 35



Eastwood Light Grey
Page 34



Eastwood Sanded Ash



Eastwood Paint to Order
Pages 50-80

Hayton. 20mm with 83mm frame. Solid timber – No V Groove – Beading on inside of frame.



Hayton Alabaster
Page 36



Hayton Dust Grey
Page 37



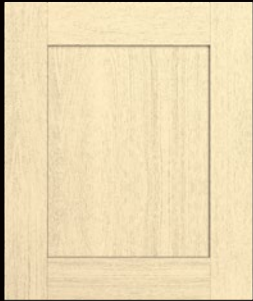
Hayton Light Grey
Page 37



Hayton Paint to Order
Pages 38, 50-80

Door Collections at a Glance

Westwood. Solid Timber Shaker. 20mm.

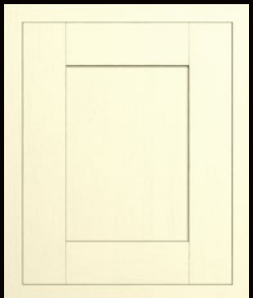


Westwood Ivory
Page 39

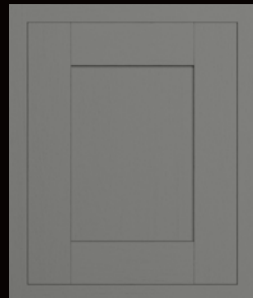


Westwood Natural
Page 40

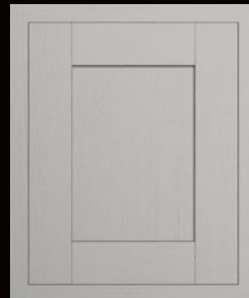
Gainsborough. Solid Timber In-Frame Effect. 20mm.



Gainsborough Alabaster
Page 41



Gainsborough Dust Grey
Page 42



Gainsborough Light Grey
Page 43



Gainsborough Paint to Order
Pages 50-80

Door Collections at a Glance

Vermuyden. Solid Timber. 22mm.



Vermuyden Cream
Page 44



Vermuyden Dust Grey
Page 46



Vermuyden Light Grey
Page 46



Vermuyden Oak
Page 45



Vermuyden Paint to Order
Pages 50-80

Glebe. Solid Timber Raised Centre Panel. 20mm.



Glebe Alabaster
Page 47



Glebe Natural
Page 48



Glebe Dust Grey
Page 49



Glebe Light Grey
Page 49



Glebe Paint to Order
Pages 50-80

Langold



Langold Smoke Blue

Langold Smoke Blue: Egger: U507 Smoke Blue.

For technical reasons colours shown may not be an exact representation of the actual product. Please ask for a sample before ordering.



Langold Silver Grey

Langold Silver Grey: Egger: U765 Silver Grey

For technical reasons colours shown may not be an exact representation of the actual product.
Please ask for a sample before ordering.



Langold Matt White and Dust Grey

Langold White and Dust Grey:
Egger: W980 Platinum White and U732 Dust Grey.

For technical reasons colours shown may not be an exact representation of the actual product. Please ask for a sample before ordering.

Jazi



For technical reasons colours shown may not be an exact representation of the actual product.
Please ask for a sample before ordering.

Jazi Gloss Alabaster

Jazi Alabaster. Egger: U104 Alabaster.



For technical reasons colours shown may not be an exact representation of the actual product. Please ask for a sample before ordering.

Jazi Gloss Dust Grey

Jazi Dust Grey, Egger: U732 Dust Grey



Jazi Gloss Anthracite

Jazi Anthracite: Egger: U961 Graphite Grey.

For technical reasons colours shown may not be an exact representation of the actual product. Please ask for a sample before ordering.



Jazi Gloss Cashmere

Jazi Cashmere. Egger: U702 Cashmere.

For technical reasons colours shown may not be an exact representation of the actual product.
Please ask for a sample before ordering.



Jazi Gloss Ivory

For technical reasons colours shown may not be an exact representation of the actual product. Please ask for a sample before ordering.



Jazi Gloss Light Grey

Jazi Light Grey. Egger: U708 Light Grey.

For technical reasons colours shown may not be an exact representation of the actual product. Please ask for a sample before ordering.



Jazi Gloss Silver Grey

Jazi Silver Grey: Egger: U708 Light Grey.

For technical reasons colours shown may not be an exact representation of the actual product. Please ask for a sample before ordering.



For technical reasons colours shown may not be an exact representation of the actual product. Please ask for a sample before ordering.

Jazi Matt Dust Grey

Jazi Dust Grey: Egger: U732 Dust Grey.



Jazi Gloss White

Jazi White. Egger: W980 Platinum White. Worktop: Adriatic.

For technical reasons colours shown may not be an exact representation of the actual product. Please ask for a sample before ordering.



Jazi Matt Anthracite

Jazi Matt Anthracite. Egger: U961 Graphite Grey.

For technical reasons colours shown may not be an exact representation of the actual product. Please ask for a sample before ordering.



Jazi Matt White

Jazi White. Egger: W980 Platinum White.

For technical reasons colours shown may not be an exact representation of the actual product. Please ask for a sample before ordering.



Jazi larder door solution.

Urbani



Urbani Matt Dust Grey

Urbani Matt Dust Grey. Egger: U732 Matt Dust Grey.

For technical reasons colours shown may not be an exact representation of the actual product. Please ask for a sample before ordering.



Urbani Gloss Anthracite

Urbani-Anthracite. Egger: U961 Graphite Grey.

For technical reasons colours shown may not be an exact representation of the actual product. Please ask for a sample before ordering.



Urbani Gloss Cashmere

Urbani Gloss Cashmere Egger: U702 Cashmere.

For technical reasons colours shown may not be an exact representation of the actual product.
Please ask for a sample before ordering.



Urbani Gloss Light Grey

Urbani Light Grey, Egger: U708 Light Grey.

For technical reasons colours shown may not be an exact representation of the actual product. Please ask for a sample before ordering.



Urbani Gloss Silver Grey

Urbani Silver Grey, Egger: U708 Light Grey.

For technical reasons colours shown may not be an exact representation of the actual product.
Please ask for a sample before ordering.



Urbani Gloss White

Urbani White. Egger: W980 Platinum White. Plinth: Stainless Steel.

For technical reasons colours shown may not be an exact representation of the actual product. Please ask for a sample before ordering.



Urbani Matt Anthracite

Urbani Matt Anthracite. Egger: U961 Graphite Grey.

For technical reasons colours shown may not be an exact representation of the actual product. Please ask for a sample before ordering.



Urbani Matt Silver Grey

For technical reasons colours shown may not be an exact representation of the actual product. Please ask for a sample before ordering.



Urbani Matt White

Urbani Matt White. Egger: W980 Platinum White.

For technical reasons colours shown may not be an exact representation of the actual product.
Please ask for a sample before ordering.

Eastwood

Eastwood Alabaster

Eastwood Alabaster. Egger: U104 Alabaster.

For technical reasons colours shown may not be an exact representation of the actual product. Please ask for a sample before ordering.



Eastwood Light Grey

Eastwood Light Grey. U708 Light Grey.

For technical reasons colours shown may not be an exact representation of the actual product. Please ask for a sample before ordering.



Eastwood Dust Grey

Eastwood Light Grey. Egger: U732 Dust Grey.

For technical reasons colours shown may not be an exact representation of the actual product. Please ask for a sample before ordering.

Hayton



Hayton Alabaster

Hayton Alabaster: Egger: U104.

For technical reasons colours shown may not be an exact representation of the actual product. Please ask for a sample before ordering.



For technical reasons colours shown may not be an exact representation of the actual product. Please ask for a sample before ordering.

Hayton Light Grey and Dust Grey

Hayton Light Grey and Dust Grey: Egger: U708 and U732.



Hayton Painted

Featured colour: Purbeck Stone and Pleat
taken from the Matt Colour Studio.

For technical reasons colours shown may not be an exact representation
of the actual product. Please ask for a sample before ordering.

Westwood



Westwood Ivory

For technical reasons colours shown may not be an exact representation of the actual product.
Please ask for a sample before ordering.



For technical reasons colours shown may not be an exact representation of the actual product. Please ask for a sample before ordering.

Westwood Natural

Westwood Natural. Egger: H3368 Natural Lancaster Oak.

Gainsborough



Gainsborough Alabaster

Gainsborough Alabaster. Egger: U104 Alabaster.

For technical reasons colours shown may not be an exact representation of the actual product. Please ask for a sample before ordering.



For technical reasons colours shown may not be an exact representation of the actual product.
Please ask for a sample before ordering.

Gainsborough Dust Grey

Gainsborough Dust Grey. Egger: U732 Dust Grey.



Gainsborough Light Grey

Gainsborough Dust Grey. Egger: U708 Light Grey.

For technical reasons colours shown may not be an exact representation of the actual product. Please ask for a sample before ordering.

Vermuyden



Vermuyden Cream

For technical reasons colours shown may not be an exact representation of the actual product. Please ask for a sample before ordering.



For technical reasons colours shown may not be an exact representation of the actual product. Please ask for a sample before ordering.

Vermuyden Oak

Vermuyden Oak. Egger: H3368 Natural Lancaster Oak.



Vermuyden Light Grey
and Dust Grey

For technical reasons colours shown may not be an exact representation of the actual product. Please ask for a sample before ordering.

Glebe



Glebe Alabaster

Glebe Alabaster. Egger: U104 Alabaster.

For technical reasons colours shown may not be an exact representation of the actual product. Please ask for a sample before ordering.



Glebe Natural Oak

Glebe Natural Oak. Egger: H3368 Natural Lancaster Oak.

For technical reasons colours shown may not be an exact representation of the actual product. Please ask for a sample before ordering.



For technical reasons colours shown may not be an exact representation of the actual product.
Please ask for a sample before ordering.

Glebe Dust Grey and Light Grey

Glebe Dust Grey and Light Grey: Egger: U732 and U708.

The Colour Studio

Bespoke Painted Kitchen Collection

With our bespoke colour palette we bring you a unique colour collection that will complement and suit any kitchen space.

Choose from 52 matt colours compatible with timber and matt colour doors.

All Timber and Matt Colour studio bespoke painted orders are on a 10 day lead time.

The Colour Studio Door Options

In addition to the 52 colours shown below, we are able to paint doors in any colour of your choice.

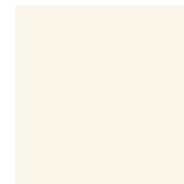
Colour Collection



White



Pointing



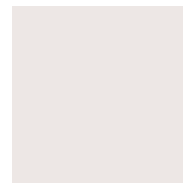
Alabaster



Cream



Ivory



Skimming Stone



Putty



Portabella Stone



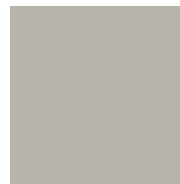
Cashmere



Dakar



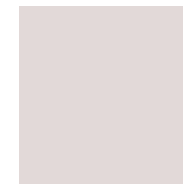
Oyster



Purbeck Stone



Shell



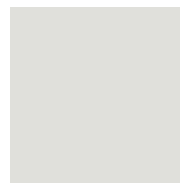
Elephants Breath



Aquamarine



Silver Grey



Ghost Grey



Lumina Grey



Grey Morn



Sage Green

The Colour Studio Door Options

Timber

Eastwood
Pages 52-59

Gainsborough
Pages 60-63

Glebe
Pages 64-67

Vermuyden
Pages 68-71

Matt

Langold
Page 72

Jazi
Pages 73-76

Urbani
Pages 77-80



For technical reasons colours shown may not be an exact representation of the actual product. Please ask for a sample before ordering.



The Timber Colour Studio

Eastwood
Timber Painted

Featured colour: Alaska Blue taken
from the Timber Colour Studio.



Eastwood
Timber Painted

Featured colour: Portabella Stone
taken from the Timber Colour Studio.



Eastwood
Timber Painted

Featured colour: Green Smoke
from the Timber Colour Studio.



Eastwood
Timber Painted

Featured colour: Ghost Grey taken
from the Timber Colour Studio.



Eastwood
Timber Painted

Featured colour: Purbeck Stone taken from the Timber Colour Studio.



Eastwood Timber Painted

Featured colours: Carbonite and White
taken from the Timber Colour Studio.



Eastwood Timber Painted

Featured colour: Bone China Blue taken from the Timber Colour Studio.



Eastwood Timber Painted

Featured colours: Admiral and Pale Powder
combination taken from the Timber Colour Studio.



Gainsborough Timber Painted

Featured colour: Sage Green taken from the Timber Colour Studio.



Gainsborough Timber Painted

Featured colour: Dakar taken from the Timber Colour Studio.



Gainsborough Timber Painted

Featured colour: Putty taken from the Timber Colour Studio.



Gainsborough
Timber Painted

Featured colour: Shell taken
from the Timber Colour Studio.



Glebe Timber Painted

Featured colour: Lumina Grey, Carbonite and White taken from the Timber Colour Studio.



Glebe Timber Painted

Featured colour: Celestial Blue taken from the Timber Colour Studio.



Glebe Timber Painted

Featured colour:
Moss Green taken from the
Timber Colour Studio.



Glebe Timber Painted

Featured colour: Light Grey taken from the Timber Colour Studio.



Vermuyden Timber Painted

Featured colours: Vortex and Hague Blue combination
taken from the Timber Colour Studio.



Vermuyden Timber Painted

Featured colour: White taken from the Timber Colour Studio.



Vermuyden Timber Painted

Featured colour: Middleton Pink taken from the Timber Colour Studio.



Vermuyden Timber Painted

Featured colour: Oyster taken from the Timber Colour Studio.

The Matt Colour Studio



Langold Matt Painted

Featured colour: Stiff Key Blue taken from the Matt Colour Studio.



Jazi Matt Painted

Featured colour: Periwinkle taken from the Matt Colour Studio.



Jazi Matt Painted

Featured colour: Alabaster taken from the Matt Colour Studio.



Jazi Matt Painted

Featured colour: Air Force Blue taken from the Matt Colour Studio.



Jazi Matt Painted

Featured colour: Pale Powder taken from the Matt Colour Studio.



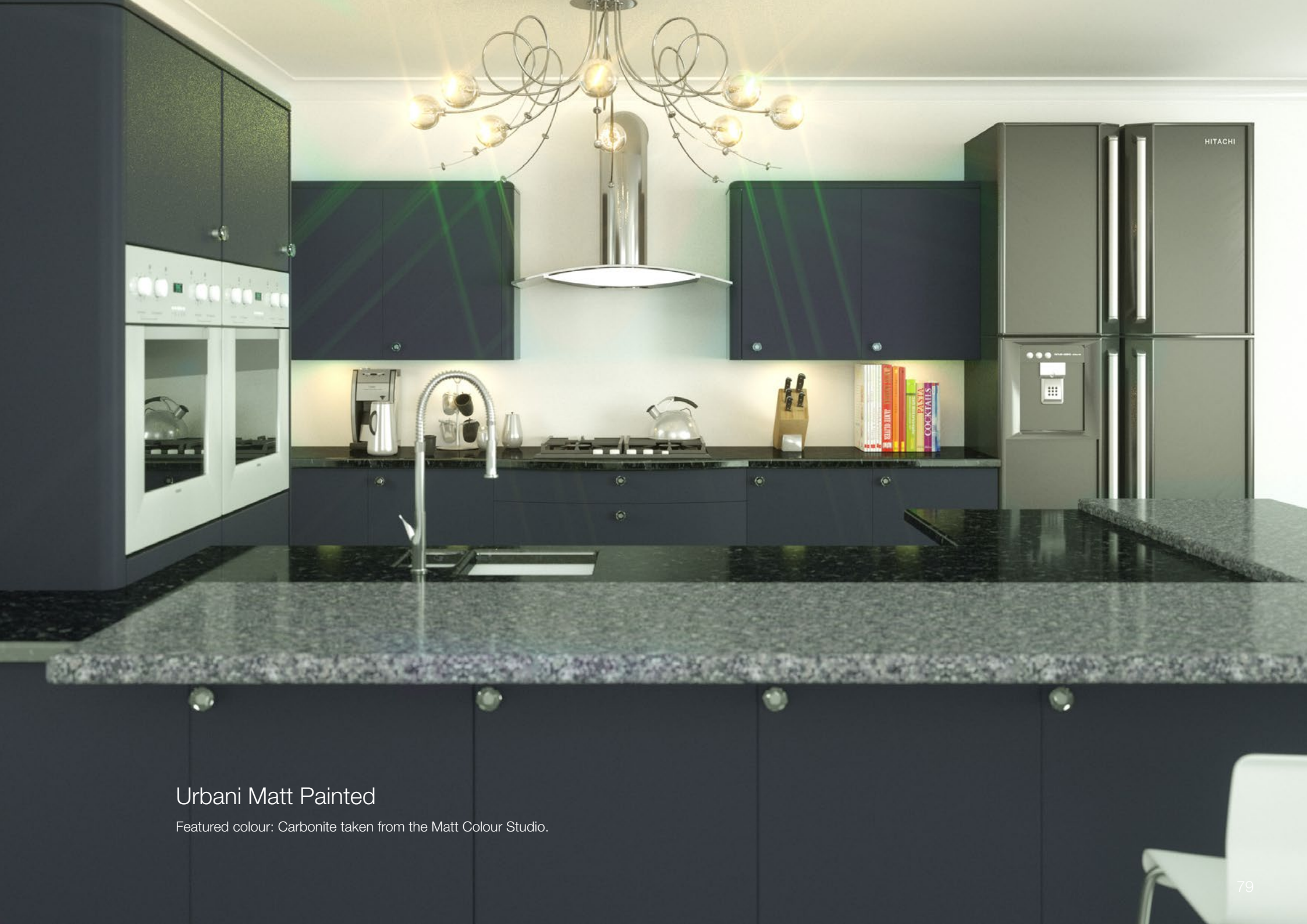
Urbani Matt Painted

Featured colour: Moss Green taken from the Matt Colour Studio.



Urbani Matt Painted

Featured colour: Ghost Grey taken from the Matt Colour Studio.



Urbani Matt Painted

Featured colour: Carbonite taken from the Matt Colour Studio.



Urbani Matt Painted

Featured colour: Shell taken from the Matt Colour Studio.

Timber Worktops

Solid timber worktops bring a natural beauty into your kitchen. Timber worktops are both aesthetically pleasing and bring a unique character to your kitchen design. With their timeless look and tactile feel, our wooden worktops create a beautiful individual statement in both traditional and contemporary environments.

We contribute to the World Wildlife Fund and we are committed to conserving the environment. With this philosophy in mind, we have decided against supplying timbers which generate environmental problems with their harvesting and so we do not sell any African timbers. All our wooden worktops are purchased with particular attention to ensuring that the timber is from an environmentally sustainable source.

Wood has a natural defence against bacteria and is considered to be the most hygienic of all kitchen work surfaces.

Our timber worktops are constructed with solid staves and, if correctly installed, will give a lifetime of trouble-free use.

Finger Jointed Worktops



Oak

The first choice for those looking for durability, strength and classic traditional elegance. Natural and quintessentially English



Please note all images are lifestyle images and do not necessarily represent the product range.



MAKStone



MAKStone is a decorative range of solid surface worktops.

Each colour has been carefully selected to complement kitchens, bathrooms, wet rooms and utility rooms.

Exceptionally practical, with the aesthetic looks of natural stone, marble and quartz, combined with the convenience and consistency of a solid acrylic product.

The lack of batching issues and seamless joins make MAKStone;

- Stylish
- Durable
- Hygienic
- Low maintenance
- Waterproof



Adriatic

A stunning new colour for the UK.
A solid sea blue worktop for a modern kitchen.



Capella

Subtle and Charming.
White background with free-flowing cloud formations.



Castor

Elegant and Stylish.
Silver grey background with darker marble variations.



Etna

The future of Acrylic worktops.
Solid Dark Grey.



Gemini

White with a difference.
A creamy white background with subtle graining.



Hadar

Cool and Contemporary.
Creamy white background with a white snowstorm effect.



Lava

Unique and Bold.

Mid/dark grey spun background with multiple reflective flecks.



Mimosa

Effortless Elegance.

Creamy background with coppery multiple marble dapples.



Mizar

Timeless Classic.

Light grey background with sporadic marble pattern in a darker grey.



Moselle

Luxurious and Durable.

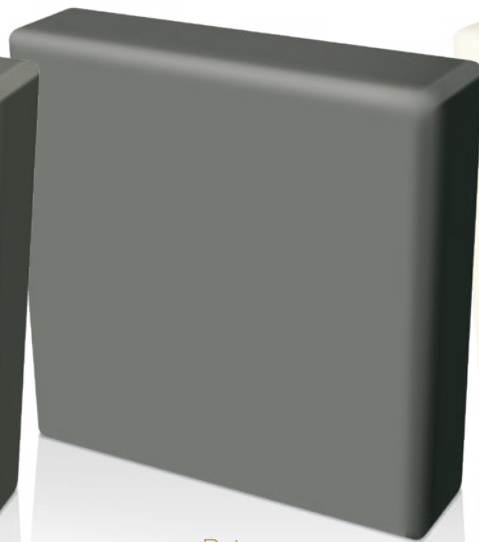
Black background with subtle white marbling. Finally a black worktop that conceals scratches.



Odessa

The future of Acrylic worktops.

Solid Light Grey.



Petros

The future of Acrylic worktops.

Solid Mid Grey.



Rana

Chic and Sophisticated.

Less is More. Plain white.



Sirius

Opulent and Decadent.

Recreate the look of a beautiful mirror fleck quartz finish. White background with reflective highlights.



Tagus

Distinctive and Versatile.
Light grey background with decorative
opaque feature.



Vega

Sleek and Serene.
Creamy white background with overall
translucent characteristics.



Volga

Stylishly Simple.
Concrete inspired background with
complementing speckles.



For technical reasons colours shown may not be an exact representation of the actual product and there may be variations along the length of the worktop.

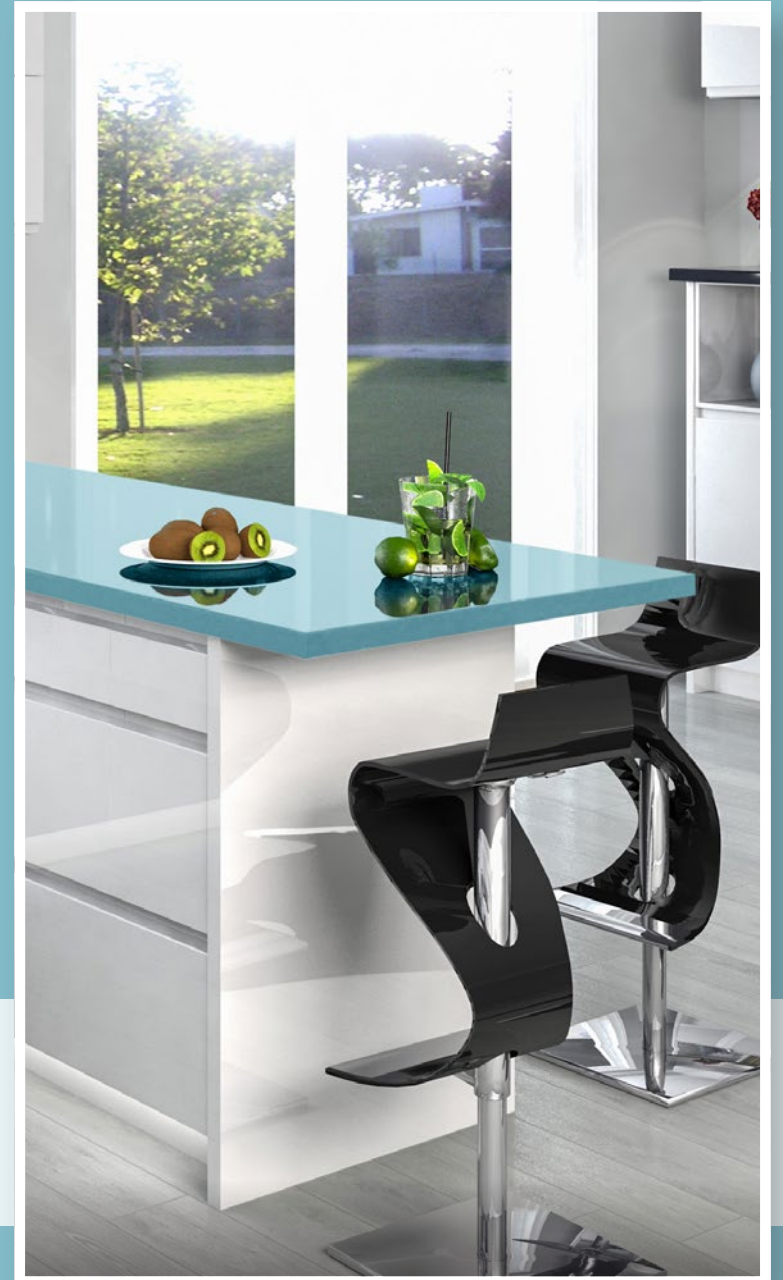
Worktops are best finished to a 'soft sheen'. If a 'high gloss' finish is used then this will require more care and maintenance – darker colours are more susceptible to surface scratches.

The full effect of the marbling on; Capella, Castor, Mimosa and Mizar can only be fully appreciated from a larger sample.

Adriatic

A stunning new colour for the UK.

A solid sea blue worktop
for a modern kitchen.



Capella



The beautiful random marble effect does mean that the join, although seamless to the touch, can be evident due to the disturbance of the pattern.

Subtle and Charming.
White background with
free-flowing cloud formations.

Castor

Elegant and Stylish.

Silver grey background with darker marbled variations.



The beautiful random marble effect does mean that the join, although seamless to the touch, can be evident due to the disturbance of the pattern.

Etna



The future of Acrylic worktops.

Solid Dark Grey.

Gemini

White with a difference.

A creamy white background
with subtle graining.



Hadar



Cool and Contemporary.
Creamy white background with
a white snowstorm effect.

Lava

Unique and Bold.

Mid/dark grey spun background
with multiple reflective flecks.



Mimosa



The beautiful random marble effect does mean that the join, although seamless to the touch, can be evident due to the disturbance of the pattern.

Effortless Elegance.
Creamy background with coppery
multiple marble dapples.

Mizar

Timeless Classic.

Light grey background with sporadic
marble pattern in a darker grey.



The beautiful random marble effect does mean that the join, although seamless to the touch, can be evident due to the disturbance of the pattern.

Moselle



Luxurious and Durable.

Black background with subtle white marbling.
Finally a black worktop that conceals scratches.

Odessa

The future of Acrylic worktops.

Solid Light Grey.



Petros



The future of Acrylic worktops.

Solid Mid Grey.

Rana

Chic and Sophisticated.
Less is More. Plain white.



Sirius



Opulent and Decadent. Recreate the look of a beautiful mirror fleck quartz finish. White background with reflective highlights.

Tagus

Distinctive and Versatile.

Light grey background with decorative opaque feature.



Vega



Sleek and Serene.

Creamy white background with overall translucent characteristics.

Volga

Stylishly Simple.

Concrete inspired background
with complementing speckles.



Sinks and Taps



Stainless Steel Inset Sinks

Kona

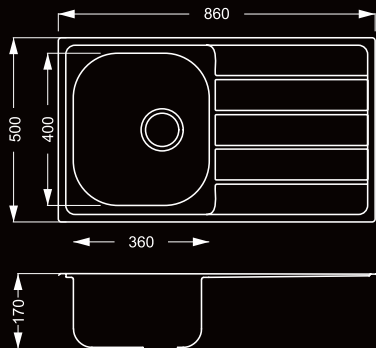
Single Bowl

Product Code: SNKKD100



Features

- Overall Dimensions: 860 x 500mm
Bowl depth: 185mm
- Minimum Base Unit: 450mm
- Includes waste and overflow
- Lifetime guarantee



Kona

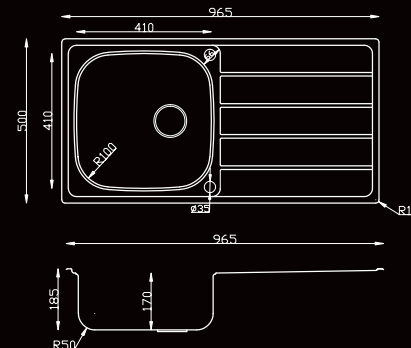
Single Bowl

Product Code: SNKKD100L



Features

- Overall Dimensions: 965 x 500mm
Bowl depth: 185mm
- Minimum Base Unit: 500mm
- Includes waste and overflow
- Lifetime guarantee



Kona

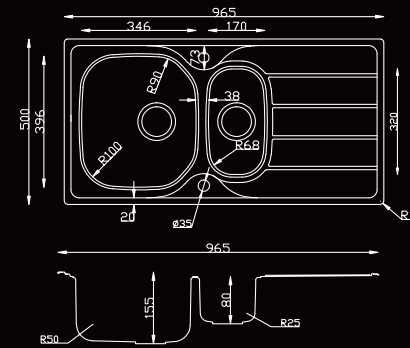
Single Bowl with Half Bowl

Product Code: SNKKD150



Features

- Overall Dimensions: 965 x 500mm
Bowl depth: 155mm
- Minimum Base Unit: 600mm
- Includes waste and overflow
- Lifetime guarantee



Granite Inset Sinks

Turin

Granite Single Bowl

Black | Product Code: SNKTD100LBL

White | Product Code: SNKTD100LWH

Graphite Grey | Product Code: SNKTD100LGRA



Black



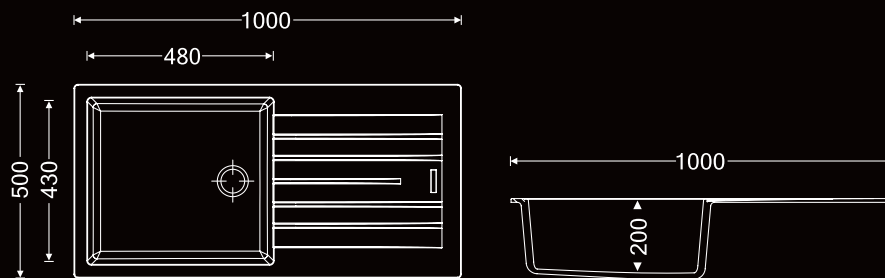
White



Graphite Grey

Features

- Overall Dimensions: 1000 x 500mm
- Bowl Depth: 195mm
- Minimum Base Unit: 600mm
- Includes: waste and overflow
- Lifetime guarantee



Turin

Granite Single Bowl with Half Bowl

Black | Product Code: SNKTD150BL

White | Product Code: SNKTD150LWH

Graphite Grey | Product Code: SNKTD150LGRA



Black



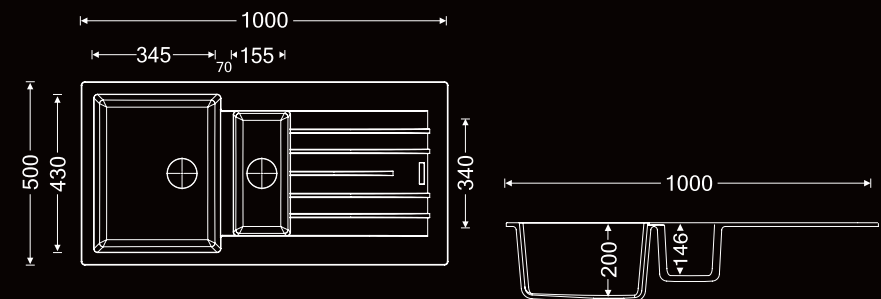
White



Graphite Grey

Features

- Overall Dimensions: 1000 x 500mm
- Bowl Depth: 195mm
- Minimum Base Unit: 600mm
- Includes: waste and overflow
- Lifetime guarantee



Stainless Steel Undermount Sinks

Classic

Medium Bowl

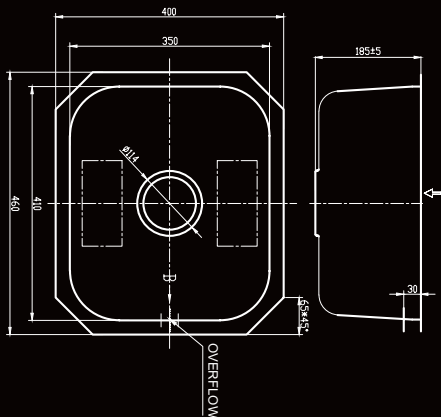
Product Code: SNKUM1006



Features

- Dimensions: 380 x 440mm
- Bowl Depth: 190mm
- Min Base Unit: 450mm
- Includes waste
- Lifetime guarantee

Please note the sink dimensions are OVERALL DIMENSIONS



Classic

Large Bowl

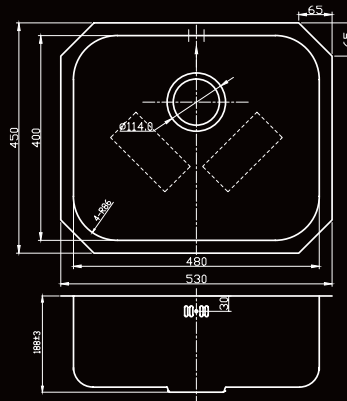
Product Code: SNKUM1009



Features

- Dimensions: 530 x 450mm
- Bowl Depth: 191mm
- Min Base Unit: 600mm
- Includes waste & overflow
- Lifetime guarantee

Please note the sink dimensions are OVERALL DIMENSIONS



Classic

Single Bowl with Half Bowl

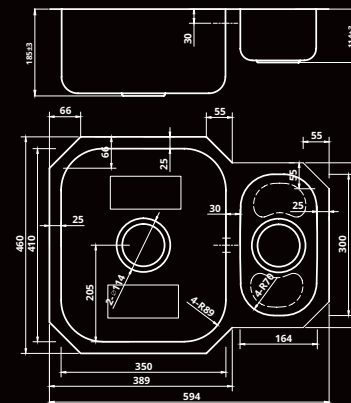
Product Code: SNKUM0001



Features

- Dimensions: 595 x 460mm
- Bowl Depth: 188mm
- Min Base Unit: 600mm
- Includes waste & overflow
- Lifetime guarantee

Please note the sink dimensions are OVERALL DIMENSIONS



Rhombus

Single Bowl

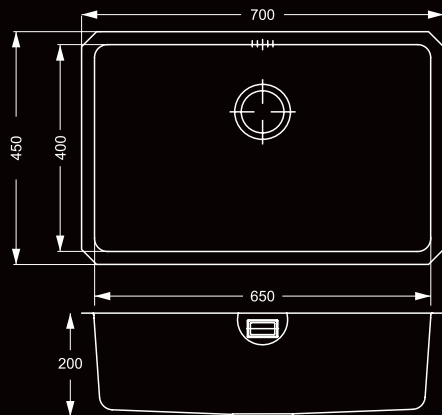
Product Code: SNKUM1025



Features

- Dimensions: 700 x 450mm
- Bowl Depth: 200mm
- Min Base Unit: 800mm
- Radius 25
- Includes waste and overflow
- Lifetime guarantee

Please note the sink dimensions are OVERALL DIMENSIONS



Rhombus

Single Bowl with Half Bowl

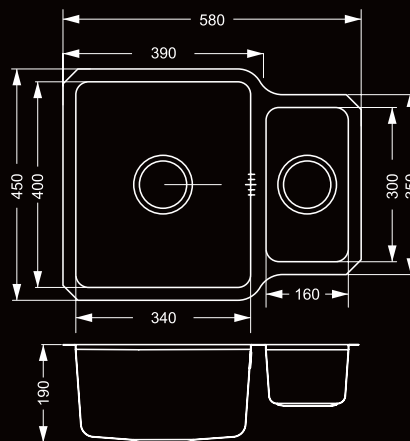
Product Code: SNKUM2501



Features

- Dimensions: 580 x 450mm
- Bowl Depth: 190mm
- Min Base Unit: 600mm
- Radius 25
- Includes waste and overflow
- Lifetime guarantee

Please note the sink dimensions are OVERALL DIMENSIONS



Rhombus

Double Bowl

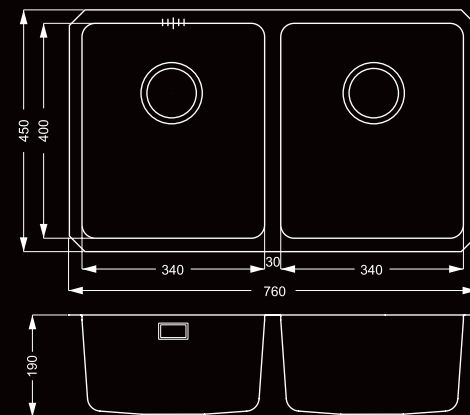
Product Code: SNKUM2502



Features

- Dimensions: 760 x 450mm
- Bowl Depth: 190mm
- Min Base Unit: 800mm
- Radius 25
- Includes waste and overflow
- Lifetime guarantee

Please note the sink dimensions are OVERALL DIMENSIONS



Stainless Steel Undermount Sinks

New Hampshire

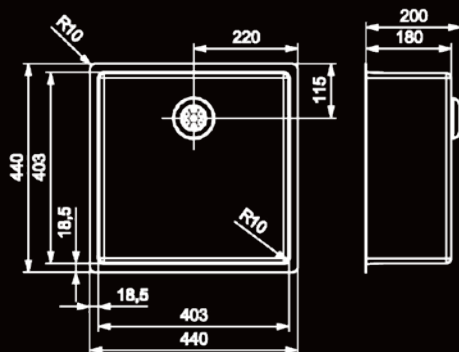
40x40 Bowl

Product Code: SNKNY40X40



Features

- Overall Dimensions: 440 x 440mm
- Bowl depth: 200mm
- Minimum Base Unit: 450mm
- Includes waste and overflow
- Lifetime guarantee



New Hampshire

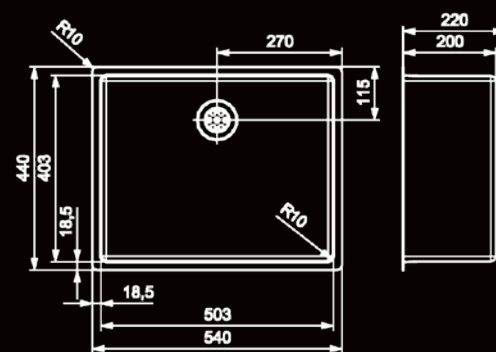
50x40 Bowl

Product Code: SNKNY50X40



Features

- Overall Dimensions: 540 x 440mm
- Bowl depth: 220mm
- Minimum Base Unit: 600mm
- Includes waste and overflow
- Lifetime guarantee



New Hampshire

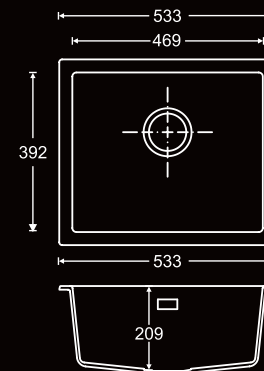
Granite Inset or Undermount Bowl

Product Code: SNKNY60 BL / WH / GRA



Features

- Overall Dimensions: 533 x 392mm
- Bowl depth: 209mm
- Minimum Base Unit: 600mm, waste disposal compatible
- Can be used as inset or undermount sink
- 80% Quartz content
- Includes waste, overflow and plumbing kit
- Lifetime guarantee



Ceramic Inset Sinks

Our ceramic sinks are hand crafted from ceramic fireclay with a hardwearing non-porous surface that offers excellent resistance to chemicals, detergents and heat.

Ceramic

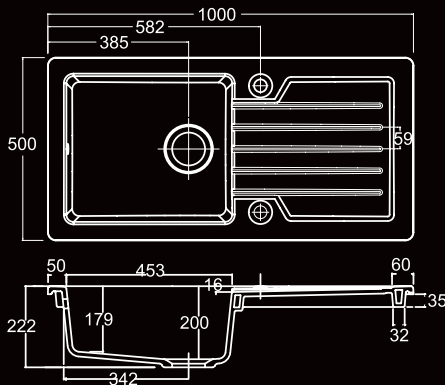
Single Bowl

Product Code: CERAMIC1.0



Features

- Overall Dimensions: 1000 x 500mm
- Bowl depth: 222mm
- Minimum Base Unit: 600mm
- Includes waste and overflow
- Lifetime guarantee



Ceramic

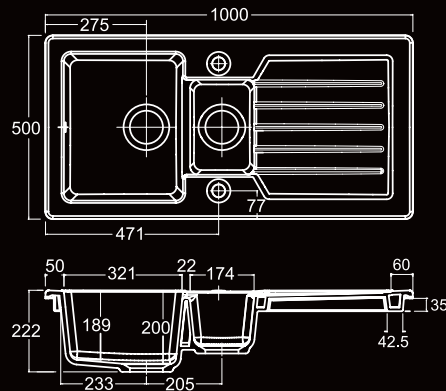
Single Bowl with Half Bowl

Product Code: CERAMIC1.5



Features

- Overall Dimensions: 1000 x 500mm
- Bowl depth: 222mm
- Minimum Base Unit: 600mm
- Includes waste and overflow
- Lifetime guarantee



Belfast

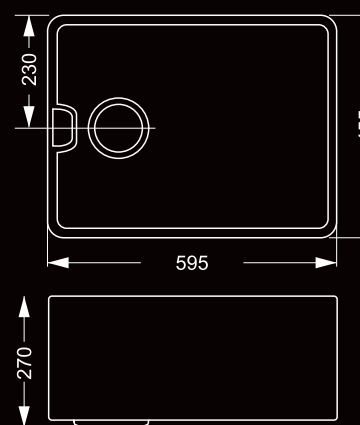
Single Bowl

Product Code: BELFAST



Features

- Overall Dimensions: 595 x 455 x 255mm
- Bowl depth: 270mm
- Minimum Base Unit: 600mm
- Includes wastes
- Lifetime guarantee



Belfast

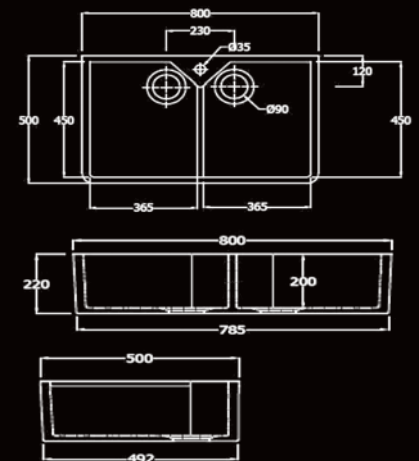
Double Bowl

Product Code: DBELFAST



Features

- Overall Dimensions: 800 x 500 x 220mm
- Bowl depth: 220mm
- Minimum Base Unit: 800mm
- Includes wastes
- Lifetime guarantee



Undermount Sinks and Matching Tap

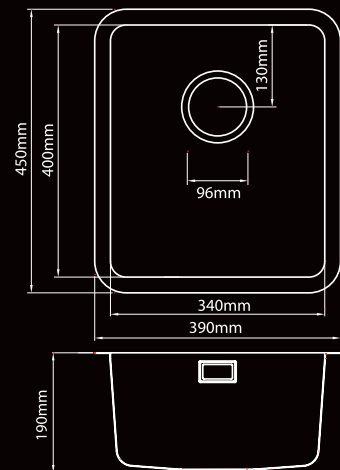
Just

Gun Metal Single Bowl
Product Code: SNKUMGM



Features

- Overall Dimensions: 450 x 390mm
- Bowl depth: 190mm
- PVD (Physical Vapour Deposition)
- Includes waste and overflow
- Lifetime guarantee



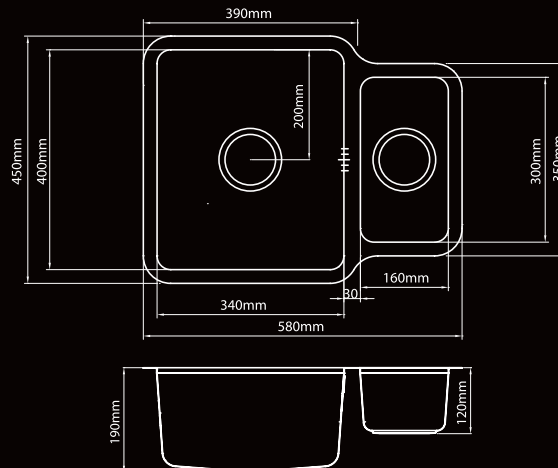
Just

Gun Metal Single Bowl and Half Bowl
Product Code: SNKUM1.5GM



Features

- Overall Dimensions: 580 x 450mm
- Bowl depth: 190mm
- PVD (Physical Vapour Deposition)
- Includes waste and overflow
- Lifetime guarantee



Just

Quarter Turn Gun Metal Tap
Product Code: TAPJUSTGM



Features

- Dimensions: 375x 134 x 225mm
- Min Pressure: 0.5 bar
- Tap hole diameter: 35mm
- Lifetime guarantee*

* Excluding tap o-rings and valves which feature a 1 year guarantee

Traditional Taps

Provencale

Quarter Turn Gold Effect Tap
Product Code: TAPPROVENCALE



Features

- Dimensions: 405 x 220 x 332mm
- Min Pressure: 0.5 bar
- Tap hole diameter: 35mm
- Lifetime guarantee*

* Excluding tap o-rings and valves which feature a 1 year guarantee

French Classic

Antique Copper Effect Tap
Product Code: TAPFCLASSIC



Features

- Dimensions: 255 x 215 x 190mm
- Min Pressure: 0.5 bar
- Tap hole diameter: 35mm
- Lifetime guarantee*

* Excluding tap o-rings and valves which feature a 1 year guarantee

Marseille

Quarter Turn Chrome Tap
Product Code: TAPMARSEILLE



Features

- Dimensions: 363 x 174 x 193mm
- Min Pressure: 0.5 bar
- Tap hole diameter: 35mm
- Lifetime guarantee*

* Excluding tap o-rings and valves which feature a 1 year guarantee

Flow

Single Lever Chrome Tap
Product Code: TAPFLOW



Features

- Dimensions: 322 x 200 x 55mm
- Min Pressure: 0.5 bar
- Tap hole diameter: 35mm
- Lifetime guarantee*

* Excluding tap o-rings and valves which feature a 1 year guarantee

Como

Single Lever Chrome Tap
Product Code: TAPCOMO



Features

- Dimensions: 140 x 239 x 44mm
- Min Pressure: 0.5 bar
- Tap hole diameter: 35mm
- Lifetime guarantee*

* Excluding tap o-rings and valves which feature a 1 year guarantee

Ascot

Single Lever Chrome Tap
Product Code: TAPASCOT



Features

- Dimensions: 260 x 198 x 123mm
- Min Pressure: 0.5 bar
- Tap hole diameter: 35mm
- Lifetime guarantee*

* Excluding tap o-rings and valves which feature a 1 year guarantee

Rumba

Quarter Turn Chrome Tap
Product Code: TAPRUMBA



Features

- Dimensions: 380 x 230 x 140mm
- Min Pressure: 0.5 bar
- Tap hole diameter: 35mm
- Lifetime guarantee*

* Excluding tap o-rings and valves which feature a 1 year guarantee

Shuffle

Single Lever Chrome Tap

Product Code: TAPSHUFFLECH



Features

- Dimensions: 336 x 205 x 315mm
- Min Pressure: 0.5 bar
- Tap hole diameter: 35mm
- Lifetime guarantee*

* Excluding tap o-rings and valves which feature a 1 year guarantee

Shuffle

Single Lever Brushed Nickel Tap

Product Code: TAPSHUFFLEBN



Features

- Dimensions: 336 x 205 x 315mm
- Min Pressure: 0.5 bar
- Tap hole diameter: 35mm
- Lifetime guarantee*

* Excluding tap o-rings and valves which feature a 1 year guarantee

Palazzo Pull Out

Single Lever Chrome Tap

Product Code: TAPPALAZZOCH



Features

- Dimensions: 400 x 228 x 265mm
- Min Pressure: 0.5 bar
- Tap hole diameter: 35mm
- Lifetime guarantee*

* Excluding tap o-rings and valves which feature a 1 year guarantee

Palazzo Pull Out

Single Lever Brushed Nickel Tap

Product Code: TAPPALAZZOBN



Features

- Dimensions: 400 x 228 x 265mm
- Min Pressure: 0.5 bar
- Tap hole diameter: 35mm
- Lifetime guarantee*

* Excluding tap o-rings and valves which feature a 1 year guarantee

Groove Pull Out

Quarter Turn Chrome Tap
Product Code: TAPGROOVE



Features

- Dimensions: 490 x 190 x 145mm
- Min Pressure: 0.5 bar
- Tap hole diameter: 35mm
- Lifetime guarantee*

* Excluding tap o-rings and valves which feature a 1 year guarantee

Twist Pull Out

Single Lever Chrome Tap
Product Code: TAPTWIST



Features

- Dimensions: 350 x 230 x 105mm
- Min Pressure: 0.5 bar
- Tap hole diameter: 35mm
- Lifetime guarantee*

* Excluding tap o-rings and valves which feature a 1 year guarantee

Twist Pull Out

Single Lever Chrome and Black Tap
Product Code: TAPTWISTCHB



Features

- Dimensions: 350 x 230 x 105mm
- Min Pressure: 0.5 bar
- Tap hole diameter: 35mm
- Lifetime guarantee*

* Excluding tap o-rings and valves which feature a 1 year guarantee

Vibe

Quarter Turn Chrome Tap
Product Code: TAPVIBE



Features

- Dimensions: 389 x 195 x 140mm
- Min Pressure: 0.5 bar
- Tap hole diameter: 35mm
- Lifetime guarantee*

* Excluding tap o-rings and valves which feature a 1 year guarantee

Cobre

Quarter Turn Copper Effect Tap
Product Code: TAPCOBRE



Features

- Dimensions: 376 x 194 x 266mm
- Min Pressure: 0.5 bar
- Tap hole diameter: 35mm
- Lifetime guarantee*

* Excluding tap o-rings and valves which feature a 1 year guarantee

Star Buy Taps

3 in 1 Boiling Hot Water Tap

Quarter Turn Tap

Chrome | Product Code: SBTAPBWCH

Black | Product Code: SBTAPBWBL

Features

- Dimensions:
358 x 160 x 235mm
- Min Pressure: 0.5 bar
- Tap hole diameter: 35mm
- Lifetime guarantee*

* Excluding tap o-rings and valves
which feature a 1 year guarantee



Star Buy Taps

Teramo

Single Lever Chrome Tap

Product Code: SBTAPTERAMO



Features

- Dimensions: 115 x 94 x 235mm
- Min Pressure: 0.5 bar
- Tap hole diameter: 35mm
- Lifetime guarantee*

* Excluding tap o-rings and valves which feature a 1 year guarantee

Tivoli

Single Lever Chrome Tap

Product Code: SBTAPTIVOLI



Features

- Dimensions: 371 x 83 x 220mm
- Min Pressure: 0.5 bar
- Tap hole diameter: 35mm
- Lifetime guarantee*

* Excluding tap o-rings and valves which feature a 1 year guarantee

Adria

Quarter Turn Tap

Chrome | Product Code: SBTAPADRIACH

Black | Product Code: SBTAPADRIABL



Chrome

Black

Features

- Dimensions: 359.50 x 130 x 180mm
- Min Pressure: 0.5 bar
- Tap hole diameter: 35mm
- Lifetime guarantee*

* Excluding tap o-rings and valves which feature a 1 year guarantee

Star Buy Sinks

Comite

Single Bowl

Matt Black | Product Code: SBSNKCOM1.0BL

Matt White | Product Code: SBSNKCOM1.0

Grey | Product Code: SBSNKCOM1.0



Matt Black



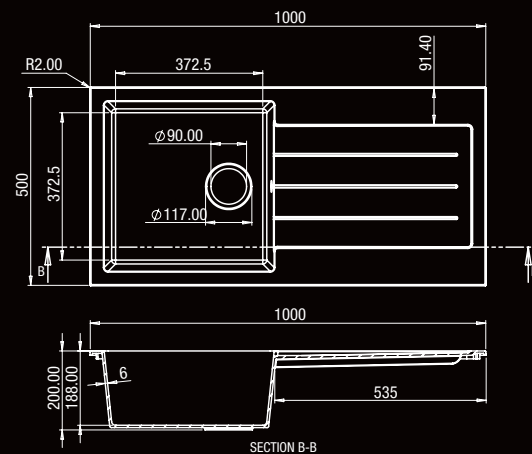
Matt White



Grey

Features

- Overall Dimensions: 1000 x 500mm
- Bowl Depth: 195mm
- Minimum Base Unit: 600mm
- Includes: waste and overflow
- Lifetime guarantee



Comite

Single Bowl with Half Bowl

Matt Black | Product Code: SBSNKCOM1.5

Matt White | Product Code: SBSNKCOM1.5WH

Grey | Product Code: SBSNKCOM1.5GR



Matt Black



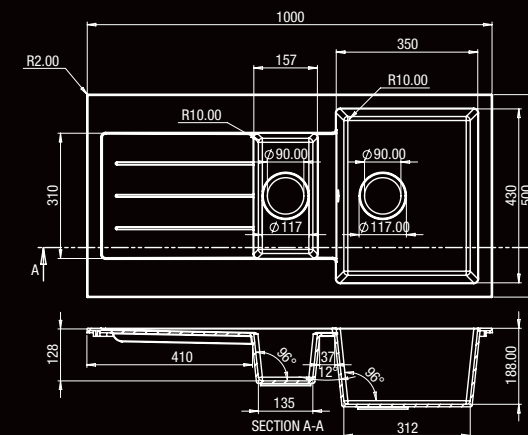
Matt White



Grey

Features

- Overall Dimensions: 1000 x 500mm
- Bowl Depth: 195mm
- Minimum Base Unit: 600mm
- Includes: waste and overflow
- Lifetime guarantee



Door handles

A complete range of handles in a variety of designs to complement both contemporary and classical kitchens. Choose from a selection of finishes including: Chrome, Nickel Plated, Stainless Steel, Antique, Pewter and Decorative and Oak.

Various handles available in different sizes.



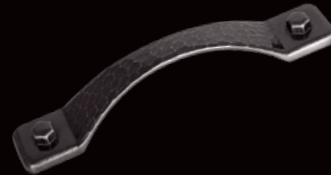
Door handles

A complete range of handles in a variety of designs to complement both contemporary and classical kitchens. Choose from a selection of finishes including: Chrome, Nickel Plated, Stainless Steel, Antique, Pewter and Decorative and Oak.

Various handles available in different sizes.



DN174IR



IH156IR



DN35IR



IK38IR



PTD188P



MS178 - MS338SS



SC104SS



SSK33SS



ST190SS



TBH128SS



TH168 - 645SS



WLC160SS



WLC240SS



KNOB350A



Kitchen Extractors

A range of cooker hoods which vary in terms of aesthetics, extraction and style. Available in both stainless steel or glass finishes. A range of ducting and vents are available - please see our price list for details.



EX600C

- 600mm Curved glass chimney
- Stainless steel and glass
- Electronic push controls complete with halogen bulbs and aluminium filters
- 3 Speed extraction to max 600 cubic metres per hour

Kitchen Extractors

A range of cooker hoods which vary in terms of aesthetics, extraction and style. Available in both stainless steel or glass finishes. A range of ducting and vents are available - please see our price list for details.



EX900C

- 900mm Curved glass chimney
- Stainless steel and glass
- Electronic push controls complete with halogen bulbs and aluminium filters
- 3 Speed extraction to max 600 cubic metres per hour



EX600

- 600mm Stainless steel chimney
- Stainless steel
- Electronic push controls complete with halogen bulbs and aluminium filters
- 3 Speed extraction to max 600 cubic metres per hour



EX900

- 900mm Stainless steel chimney
- Stainless steel
- Electronic push controls complete with halogen bulbs and aluminium filters
- 3 Speed extraction to max 600 cubic metres per hour



Pop Up Sockets



Code: MAKPORT USB

- 3 UK sockets
- Silver cover and collar
- On and off switch
- Power Supply cable
- Installed in a 100mm dia hole.
- 2 x 5V DC USB ports



Code: MAKPORT

- 3 UK sockets
- Silver cover & collar
- On and off switch
- Power supply cable
- 13A, 240V
- Installed in a 100mm dia hole
- Best value option



Storage
Solutions



Classic
(Round Bar) Style



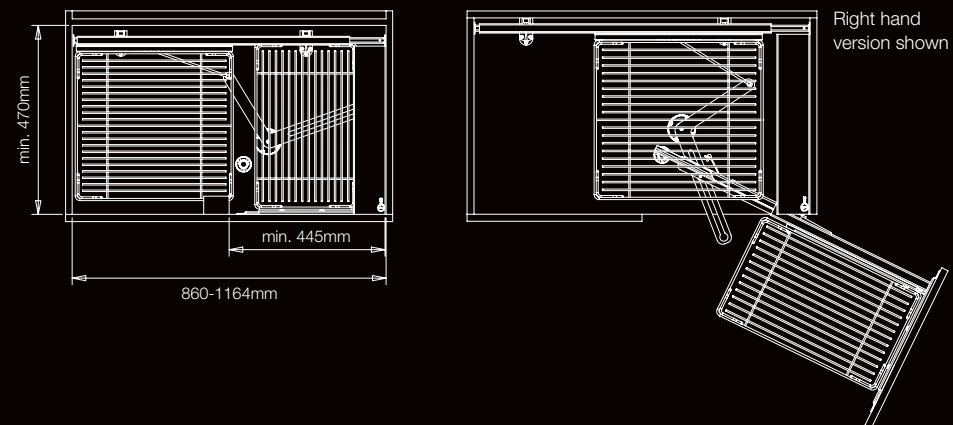
Plus
(Flat Bar) Style

Magic Corner

Magic Corner Unit.

Features: Self-opening and soft-closing.

Options: Chrome baskets.



Code	Description	Min Carcase size	Loading
MCUSCL	Magic corner, 860x450mm, silver/chrome baskets, left hand	860x470x580mm	15kg for front, 20kg for corner pullout
MCUSCR	Magic corner, 860x450mm, silver/chrome baskets, right hand	860x470x580mm	15kg for front, 20kg for corner pullout

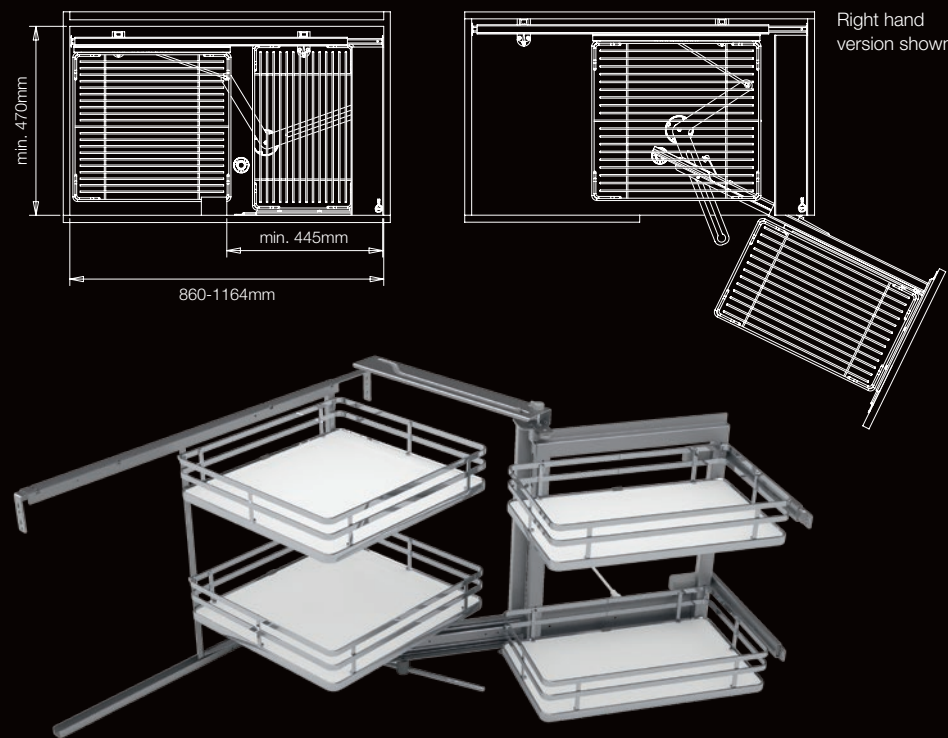
Note: Carcase sizes given are internal dimensions in width x depth x height

Magic Corner Plus



Infinity Plus Magic Corner Unit.

Features: Pull-out mechanism for corner cabinet, with soft opening-closing and 4 solid base baskets. Left or right hand. Melamine base with flat bar design.



Code	Description	Min Carcase size	Loading
MCUSCLPL	Magic corner, 860x450mm, silver/MFC bottom baskets, left hand	860x470x580mm	15kg for front, 20kg for corner pullout
MCUSCRPL	Magic corner, 860x450mm, silver/MFC bottom baskets, right hand	860x470x580mm	15kg for front, 20kg for corner pullout

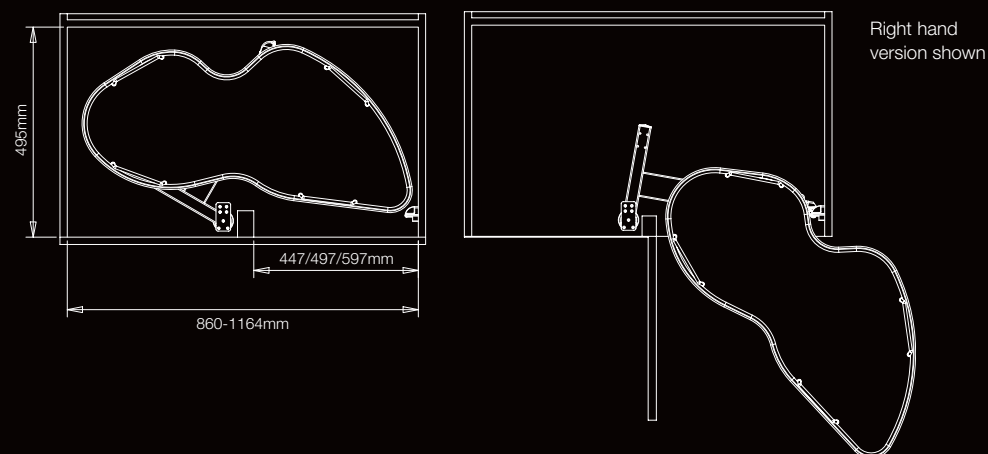
Note: Carcase sizes given are internal dimensions in width x depth x height

Nuvola Pullout

Nuvola Pullout.

Features: Soft-closing option available as extra.

Options: MFC baskets. 450mm, 500mm & 600mm versions available.



Code	Description	Min Carcase size	Loading
NUV450L	Nuvola, 450mm door, left hand	864x495x600mm	20kg per shelf, 40kg per unit
NUV450R	Nuvola, 450mm door, right hand	864x495x600mm	20kg per shelf, 40kg per unit
NUV500L	Nuvola, 500mm door, left hand	964x495x600mm	20kg per shelf, 40kg per unit
NUV500R	Nuvola, 500mm door, right hand	964x495x600mm	20kg per shelf, 40kg per unit
NUV600L	Nuvola, 600mm door, left hand	964x495x600mm	20kg per shelf, 40kg per unit
NUV600R	Nuvola, 600mm door, right hand	964x495x600mm	20kg per shelf, 40kg per unit
NUVSOFT	Soft close for Nuvola		

Note: Carcase sizes given are internal dimensions in width x depth x height

Atira Larder Stack

The drawer system InnoTech Atira makes a feature of its edges and corners and in doing so offers individual potential for creativity.

- 2 drawer side – profile heights: Standard and Pan
- Colour: Anthracite
- Quadro runner systems
- Sensys zero protrusion hinge 165 degrees
- Reliable quality and ease of use
- Endless options to create a simple but stylish storage solution
- Available in 300mm, 400mm, 500mm and 600mm widths



Larder Pullout

Larder Pullout.

Features: Self-opening and soft-closing. Full extension.
Height adjustable: between 1880mm and 2175mm.
5 baskets (additional baskets available).

Options: Chrome baskets, MFC baskets.

Code	Description	Min Carcase size	Loading
LF300SC	Larder pullout, 300mm, silver / 5 chrome baskets	250x455x1880-2175mm	90kg
LF400SC	Larder pullout, 400mm, silver / 5 chrome baskets	350x455x1880-2175mm	90kg
LF450SC	Larder pullout, 450mm, silver / 5 chrome baskets	400x455x1880-2175mm	90kg
LF500SC	Larder pullout, 500mm, silver / 5 chrome baskets	450x455x1880-2175mm	90kg
LF600SC	Larder pullout, 600mm, silver / 5 chrome baskets	550x455x1880-2175mm	90kg

Note: Carcase sizes given are internal dimensions in width x depth x height



Larder Pullout Plus



Infinity Plus Larder Pullout.

Features: Soft-closing. Full extension.
Height adjustable: between 1880mm and 2175mm.
5 baskets (additional baskets available).

Options: MFC baskets.



Code	Description	Min Carcase size	Loading
LF300SMPL	Larder pullout, 300mm, silver / 5 MFC bottom baskets	250x455x1880-2175mm	120kg
LF400SMPL	Larder pullout, 400mm, silver / 5 MFC bottom baskets	350x455x1880-2175mm	120kg
LF450SMPL	Larder pullout, 450mm, silver / 5 MFC bottom baskets	400x455x1880-2175mm	120kg
LF500SMPL	Larder pullout, 500mm, silver / 5 MFC bottom baskets	450x455x1880-2175mm	120kg
LF600SMPL	Larder pullout, 600mm, silver / 5 MFC bottom baskets	550x455x1880-2175mm	120kg

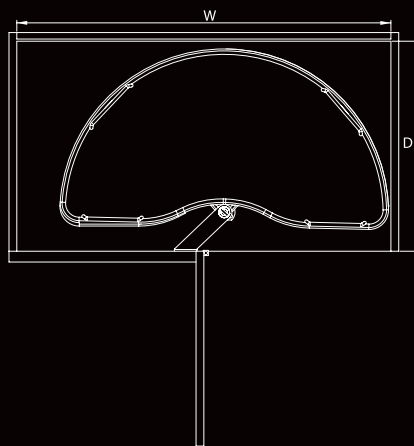
Note: Carcase sizes given are internal dimensions in width x depth x height

1/2 Carousel



Wire Carousel Infinity Plus.

Features: Half-Moon solid base shelves for corner cabinet. 2 hand opening shelves.



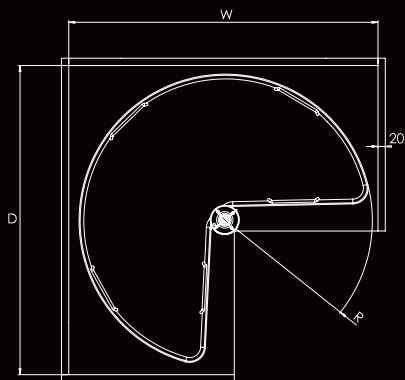
Code	Description	Min Carcase size	Loading
WC180PL	1/2 carousel	760x390x450mm	15kg

3/4 Carousel



Wire Carousel Infinity Plus.

Features: Rotating system with 2 solid base baskets, 900x900mm corner base unit.



Code	Description	Min Carcase size	Loading
WC270PL	3/4 carousel	800x800x700mm	20kg

Note: Carcase sizes given are internal dimensions in width x depth x height

Duetto Pullout

Duetto Pullout.

Features: Self opening and soft-closing. 6 baskets.
Reversible and can be doubled up to make a 'Chef's Pantry'.
Universal – can be used right or left handed.

Options: Chrome baskets.

Loading Capacity: 20kg front baskets, 50kg rear baskets.

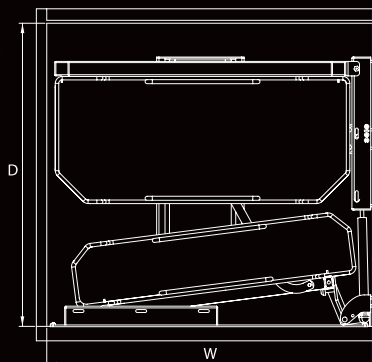
Code	Description	Min Carcase size	Loading
DP450C	Duetto pullout, 450mm, chrome baskets	410x470x1800mm	20kg for small shelves, 50kg for large shelves
DP500C	Duetto pullout, 500mm, chrome baskets	460x470x1800mm	20kg for small shelves, 50kg for large shelves
DP600C	Duetto pullout, 600mm, chrome baskets	560x470x1800mm	20kg for small shelves, 50kg for large shelves



Duetto Pullout Plus



Features: Pull-out tandem dispenser, short (universal), with soft opening-closing and solid base baskets.



Code	Description	Min Carcase size	Loading
DP450PL/1215	Duetto pullout, 450mm silver/MFC bottom baskets	410x470x1215mm	20kg for small shelves, 50kg for large shelves
DP500PL/1215	Duetto pullout, 500mm silver/MFC bottom baskets	460x470x1215mm	20kg for small shelves, 50kg for large shelves
DP600PL/1215	Duetto pullout, 600mm silver/MFC bottom baskets	560x470x1215mm	20kg for small shelves, 50kg for large shelves

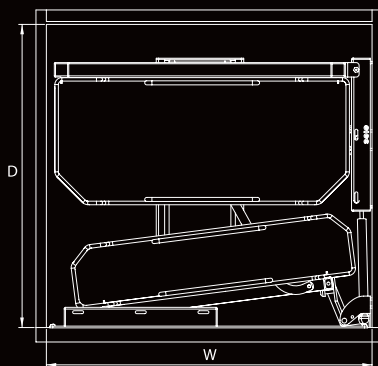
Note: Carcase sizes given are internal dimensions in width x depth x height



Duetto Pullout Plus



Features: Pull-out tandem dispenser, tall (universal), with soft opening-closing and 12 solid base baskets.



Code	Description	Min Carcase size	Loading
DP450G PL	Duetto pullout, 450mm silver/ MFC bottom baskets	410x470x1800mm	20kg for small shelves, 50kg for large shelves
DP500G PL	Duetto pullout, 500mm silver/ MFC bottom baskets	460x470x1800mm	20kg for small shelves, 50kg for large shelves
DP600G PL	Duetto pullout, 600mm silver/ MFC bottom baskets	560x470x1800mm	20kg for small shelves, 50kg for large shelves

Note: Carcase sizes given are internal dimensions in width x depth x height

Pan Drawer and Base Unit Pullouts

Pan Drawer and Base Unit Pullout.

Features: Soft closing. Full extension.

Options: Chrome baskets.



Pan drawer pullout



Base unit pullout

Pan drawer pullout

Code	Description	Min Carcase size	Loading
PD300C	Pan drawer with full extension, 300mm	264x455mm	30kg
PD400C	Pan drawer with full extension, 400mm	364x455mm	30kg
PD500C	Pan drawer with full extension, 500mm	464x455mm	30kg
PD600C	Pan drawer with full extension, 600mm	564x455mm	30kg
BU300C	Base unit pullout with full extension, soft close, 300mm, chrome	264x455mm	30kg
BU400C	Base unit pullout with full extension, soft close, 400mm, chrome	364x455mm	30kg
BU500C	Base unit pullout with full extension, soft close, 500mm, chrome	464x455mm	30kg
BU600C	Base unit pullout with full extension, soft close, 600mm, chrome	564x455mm	30kg



Base unit pullout



200mm Base Unit Plus



Infinity Plus 200mm Base Unit Pullout

Features: Soft closing, full extension.

Code	Description	Min Carcase size	Loading
BP200PL	200mm, base pullout	160x450x520mm	30kg



150mm Base Unit

150mm Base Unit Pullout

Features: Soft-closing. Full extension.

Options: Chrome shelves, partitioned version, towel rail version.

Code	Description	Min Carcase size	Loading
BP150C	150mm, pullout, chrome	110x450x520mm	10kg



150mm Base Unit Plus

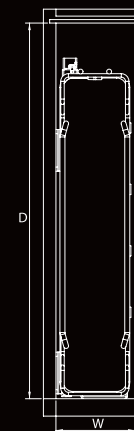


Infinity Plus 150mm Base Unit Pullout

Features: Soft-closing. Full extension.

Code	Description	Min Carcase size	Loading
BP150PL	150mm, pullout, chrome	110x450x520mm	20kg

Note: Carcase sizes given are internal dimensions in width x depth x height



Waste Bins

Quadrifoglio Waste Bin.

Features: Soft closing. Full extension.

Code	Description	Min Carcase size	Loading
QUSBIN	Quadrifoglio, 600mm, under-sink bin	564x455x405mm	36 litres
QCB300	Quadrifoglio, 300mm, "cargo" bin, Anthracite	264x505x560mm	35 litres
QCB300/2B	Quadrifoglio, 300mm, "cargo" bin, 2 bins, Anthracite	264x505x560mm	35 litres
QCB400	Quadrifoglio, 400mm, "cargo" bin, 2 bins, Anthracite	364x505x560mm	35 litres
QCB450	Quadrifoglio, 450mm, "cargo" bin, 2 bins, Anthracite	364x505x560mm	35 litres
QCB500	Quadrifoglio, 500mm, "cargo" bin, 2 bins, Anthracite	464x505x560mm	70 litres
QCB600	Quadrifoglio, 600mm, "cargo" bin, 2 bins, Anthracite	564x505x560mm	85 litres

Note: Carcase sizes given are internal dimensions in width x depth x height



Carcases



Features

- 28 different colour options available.
- Colour matched 2mm pvc lipping on all visible edges (not on corner units).
- All Carcases are supplied with solid backs. 18mm on base units and 8mm on wall units.
- Made to order on a 7–10 working day delivery time (excluding holidays).
- Cam and dowel construction for easy assembly.
- All units supplied complete with Hettich Sensys 110° Integrated Self-Closing Hinges as standard *
- Base units 560mm deep with 47mm service gap.
- Please refer to the price list for our full range of options
- Wall units supplied with Universal Adjustable Concealed Cabinet hangers.
- Drawer units supplied with Hettich Silver Atira Soft-Closing Drawers complete with matching steel back.
- Base units supplied with 150mm adjustable legs.
- Special sizes and bespoke service available to order.
- Excellent Quality at highly competitive prices.

* note that a 165° hinge with soft close option can be specified but these are chargeable as an extra item.

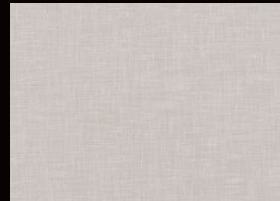


Carcase colour matrix

Egger options – woodgrain



F417 (ST10)
Grey Textile



F426 (ST10)
Grey Linen



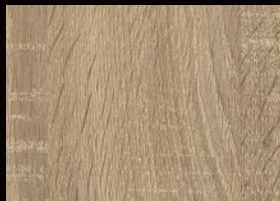
F501
Titanium



W1000 (ST30)
Premium Gloss White



H1146 (ST10)
Grey Bardolino Oak



H1158 (ST10)
Truffle Bardolino Oak



H1381
Winchester Oak



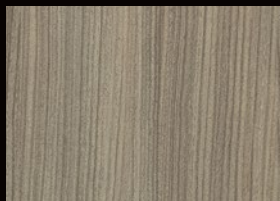
H1484
Brown Grey Avola



H1582
Ellmau Beech



H3078
Hacienda White



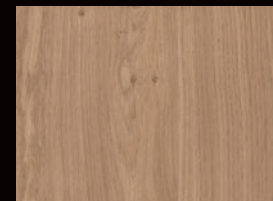
H3090
Driftwood



H3170
Kendal Oak



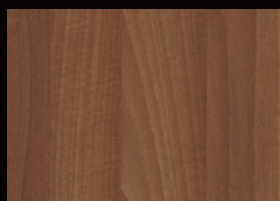
H3368
Natural Lancaster Oak



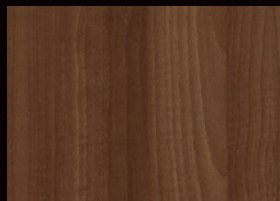
H3382
Light Winchester Oak



H3702
Tobacco Pacific Walnut



H3703
Natural Aida Walnut



H3704
Tobacco Walnut



U507
Smoke Blue



U599
Indigo Blue



U732
Dust Grey

Egger options – uni-colour



U100
Mussell



U104
Alabaster



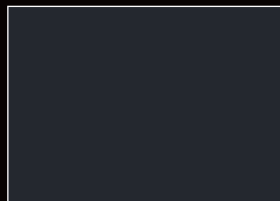
U702
Cashmere



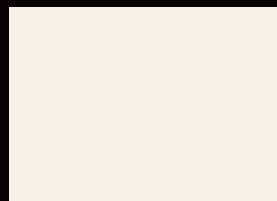
U708
Light Grey



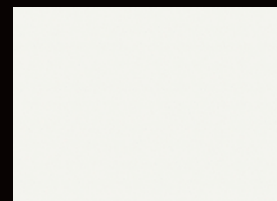
U727
Stone Grey



U961
Graphite Grey



W1200
Porcelain White



W980 (ST2)
Platinum White

For technical reasons colours shown may not be an exact representation of the actual product.
Please ask for a sample before ordering.



Hettich

The Hettich brand is synonymous throughout the world with quality, innovation and reliability.



Sensys

Now there's a hinge where form and function are a perfect match: Sensys. Doors close silently, moved gently by an invisible force. With this exclusive self-closing function, plus integrated damping, Sensys delivers a luxury closing experience. Innovation at its best: award-winning design plus perfect functionality means Hettich can offer the perfect hinge with a full range of applications and plate options.

Currently the only hinge technology available where all hinge options are available as soft-close

- Integrated damping element
- Silence, design and emotion
- Door closes automatically from 35°

Easy to fit

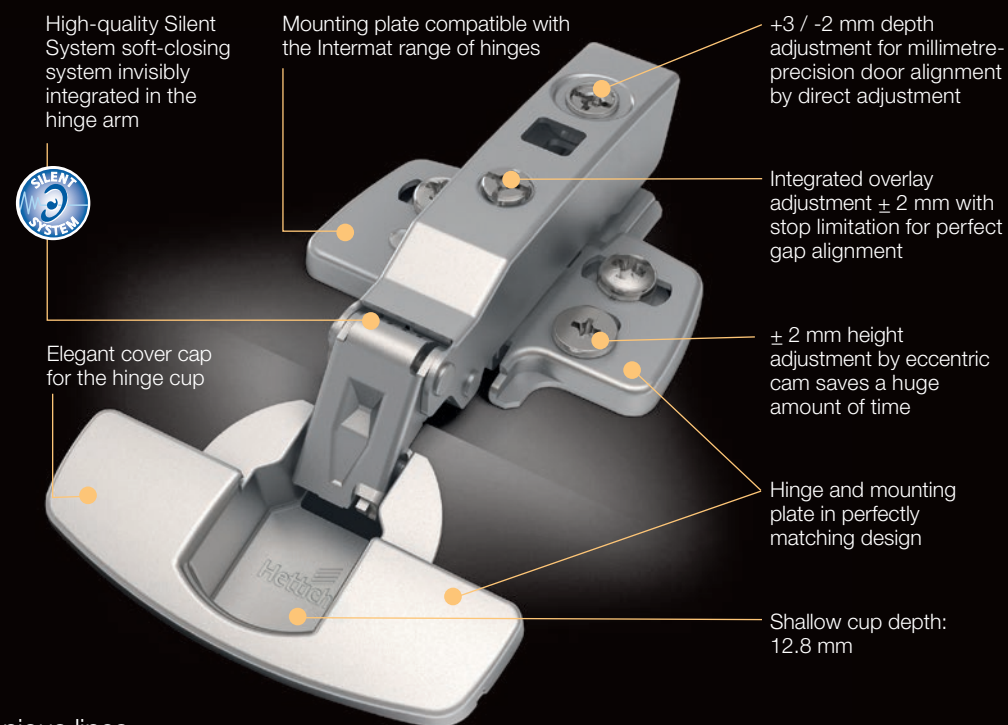
- Sensys is easy to fit and easy to adjust

Clean and elegant looking

- Sensys has an elegant and contemporary look with simple and harmonious lines

Meets all customer expectations for outstanding design and quality

The Sensys hinge family includes products for all popular door mounting options. See price list for options.



Atira

Completing kitchen ranges at the right level of specification and quality. Giving the market genuine choice, whilst keeping production and inventory lean. This is the Atira drawer system. Numerous options, but just one drawer side panel. Flexibility meets efficiency.

Atira Platform concept

- Economic mark of distinction

470mm Standard depth drawer system to maximise UK cabinet depths

- Also available in 260mm depth for dresser units

Multi choice of widths available

- Steel rear panel in standard widths

Multi choice of materials gives extra differentiation to customer

- Steel sides
- DesignSide, steel TopSide and railing available
- Drawer sides available in Silver as standard
- 4 options for pan drawers

Multi choice of soft close runners available

- Integrated soft close
- 30 kg, 50 kg and 70 kg available from stock
- Stainless Steel ball bearings used for long life
- Runners tested to 80,000 open/close movements

Durable, scratch resistant drawer sides

- Powder coating
- Smooth finish

Easy to clean

- Ease of assembly and adjustment
- Rapid assembly to save time
- Thumbwheel adjustment of front panel height saves time when fitting
- Easy removal and re-connection of drawer fronts

German engineering at its best

- Offering something that little bit different



Standard Drawer



Pan Drawer with Gallery Rail



Pan Drawer with Glass Sides



Atira Drawer Accessories

Atira Internal Drawer Fronts.

- Available from 300mm-1200mm width
- Available in standard silver and frosted glass.

Atira Cutlery Tray

- Available from 300mm-1150mm width, silver

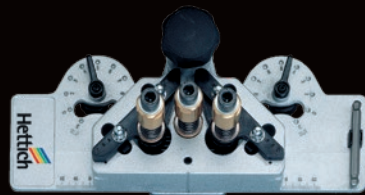
Atira Professional Cutlery Tray

- Available from 300mm-1200mm width, silver with dividing elements.
- Additional dividers available as an option

Assembly aids for Innotech Drawer Systems



Drawer Marker



Drilling Jig for Hinges



Internal Drawer Fronts



Cutlery Tray for use with Atira (not supplied with beech inserts)



Professional Cutlery Tray for use with Innotech (900mm version shown)

Blum AVENTOS HK

AVENTOS HK components are easy to assemble. Once the lift mechanism has been precisely adjusted to the weight and size of the front, AVENTOS HK will open, close and hold with reliable ease. What's more, AVENTOS HK needs no hinges. Lever arms are closed so there are no projecting parts.

AVENTOS HK – State-of-the-art stay lifts

International design juries have praised the visual result, and pros appreciate AVENTOS HK as a convenient lift system for mid wall units. The Aventos HK stay lift needs little space – even above fitted cabinets, e.g. above refrigerators.

Programme

AVENTOS HK stands for a manageable programme and a wide range of planning options.

- Cabinet heights up to 600 mm
- Cabinet widths up to 1800 mm
- Can be used with cornice
- Use with any style of door
- Available in light, medium, heavy, and extra heavy duty depending on weight of door
- Lift mechanisms and front fixing brackets can be used symmetrically



Easyfit Hinge System

The Easy Fit hinge is a system allowing a standard kitchen fascia to be installed over a freestanding washing machine, tumble dryer or similar appliance. Intended for a 647mm wide door fascia up to 22mm thick. Can be mounted left or right hand. White coated steel.

The East Fit hinge comes with full installation instructions. The Fittings pack contains:

- 1 x 6mm mild steel angle
- 2 x Face Frame Hinges
- 6 x combi screws (4x30)
- 2 x countersunk carcasse screws (4x 30)
- 1 x plastic stopper block



Blum AVENTOS HF

AVENTOS HF for Quality of Motion and Freedom of Design

AVENTOS HF is Blum's award winning fitting system for bi-fold fronts. The system provides endless possibilities in planning design with little installation effort. Aventos HF offers direct access, ease of use and freedom of movement.

- Suitable for cabinet 480 – 1040mm high and up to 1800mm wide.
- The Aventos HF is suitable for wooden and aluminium framed fronts
- Aventos HF is designed for quick and easy assembly – with just a few tools.
The lift mechanism can be adjusted with a cordless screwdriver to achieve optimal function.
- Aventos HF will open, stop and close with reliable ease.

Parts required per Unit:

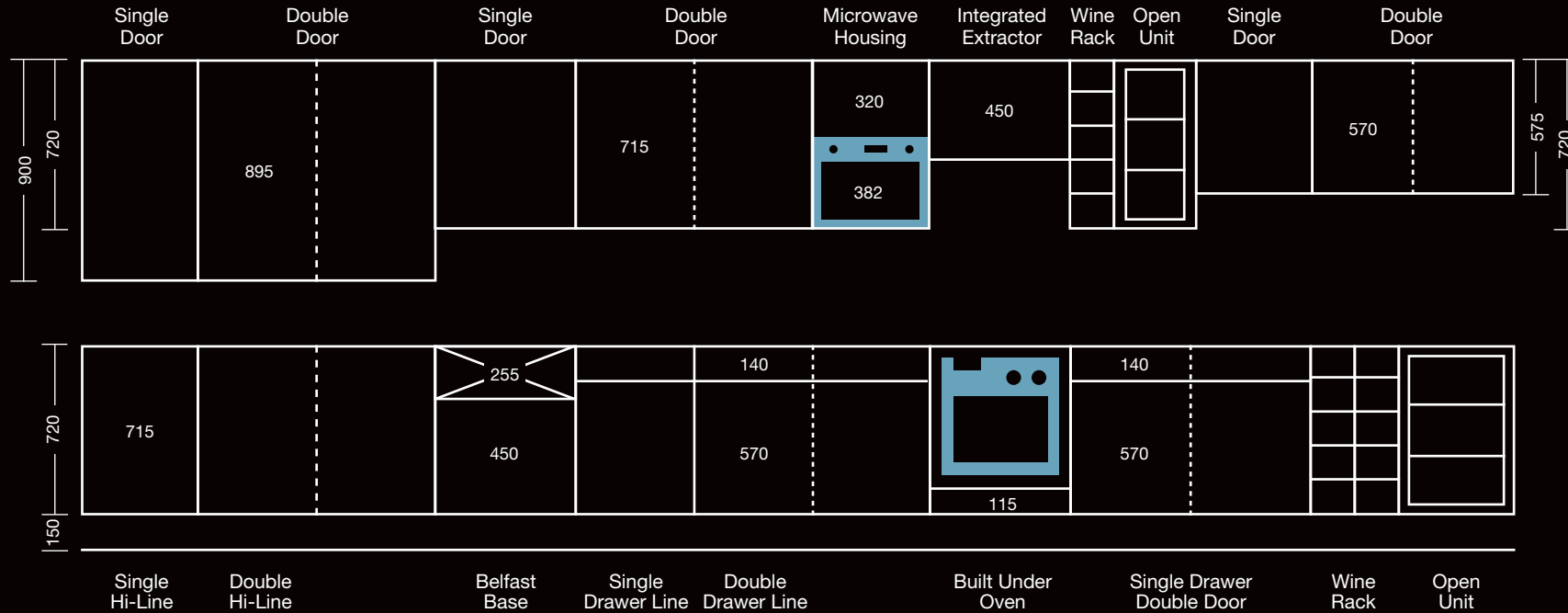
- 1 x Lift Mechanism Set.
- 1 x Lever Arm Set.
- 1 x Pair of front fixing brackets.
- 1 x cover cap set.

To Calculate the correct power factor multiply your cabinet height (mm) by the door weight including handles (KG)

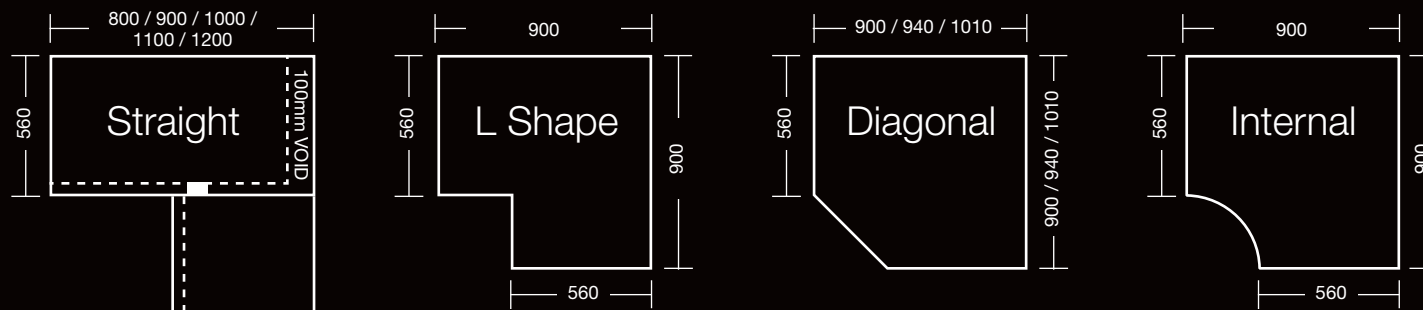


Technical Information

Base Units and Wall Units



Base Corner Units

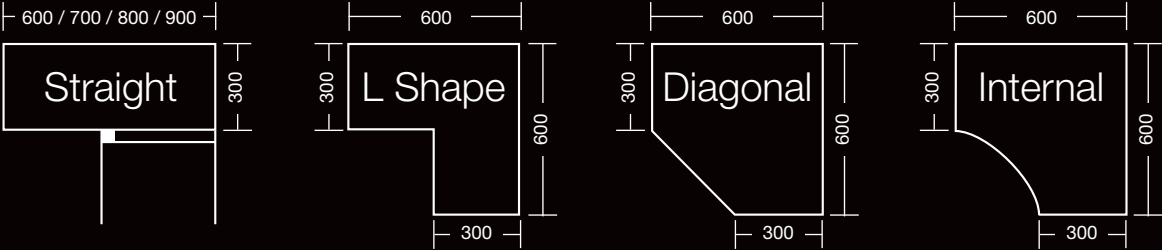


Technical Information

Drawer Packs and Feature Units

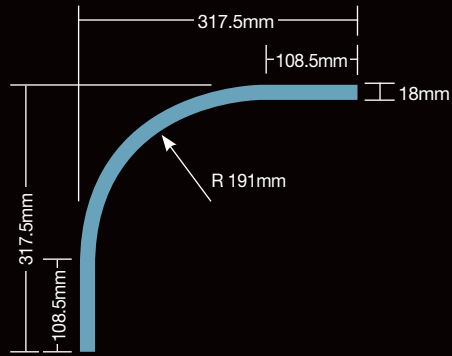


Wall Corner Units



Technical Information

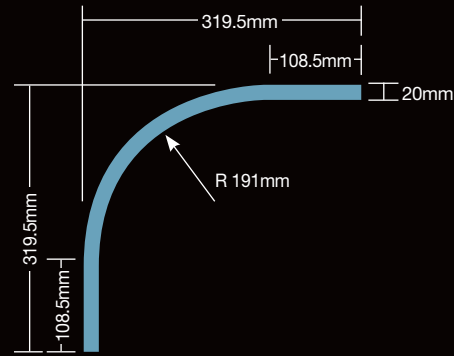
Lacquered Slab Door



Door height 715mm

(895mm high door is also available in some ranges, please see price list)

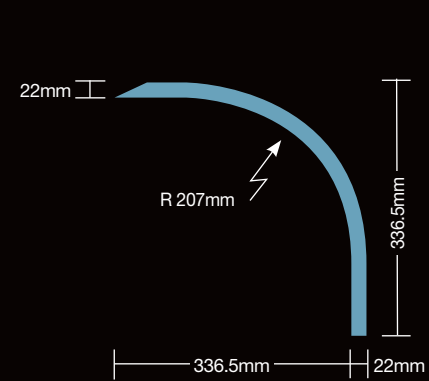
Timber Door



Door height 715mm

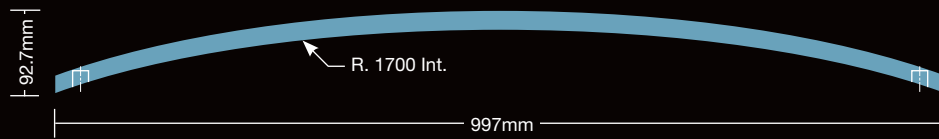
(895mm high door is also available in some ranges, please see price list)

Jazi Internal Curve

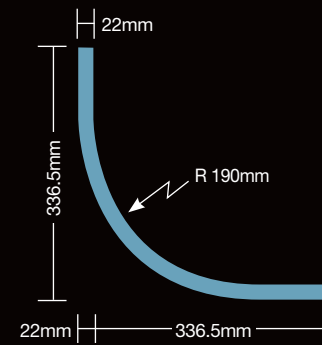


(illustrated as right hand)

1000mm Curve

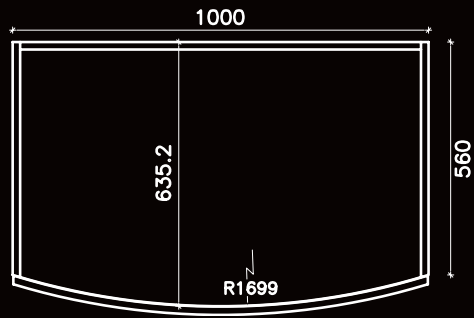


Jazi External Curve

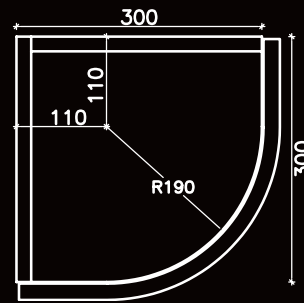


Technical Information

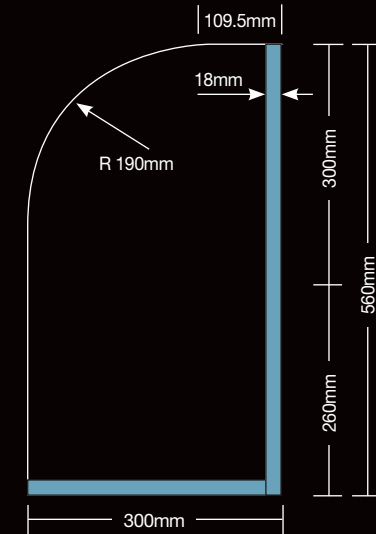
Bow Front Base Unit



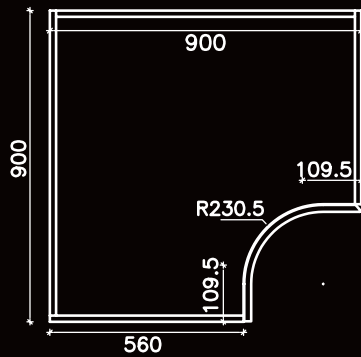
External Wall Unit



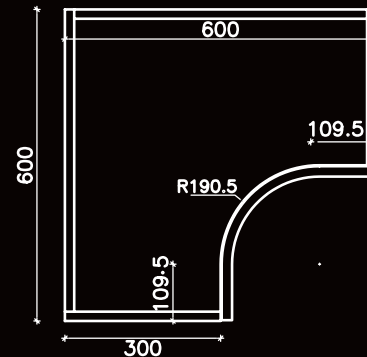
External Base Unit



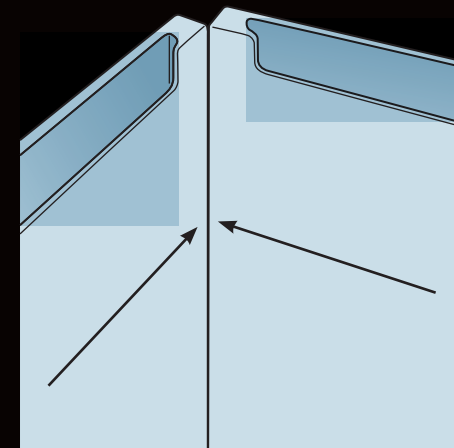
Internal Base Unit



Internal Wall Unit

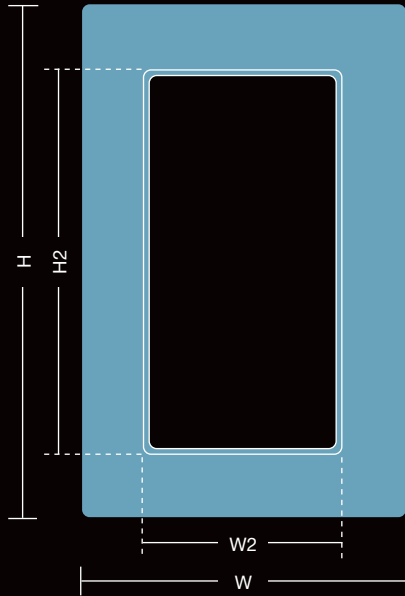


Jazi Corner Solution



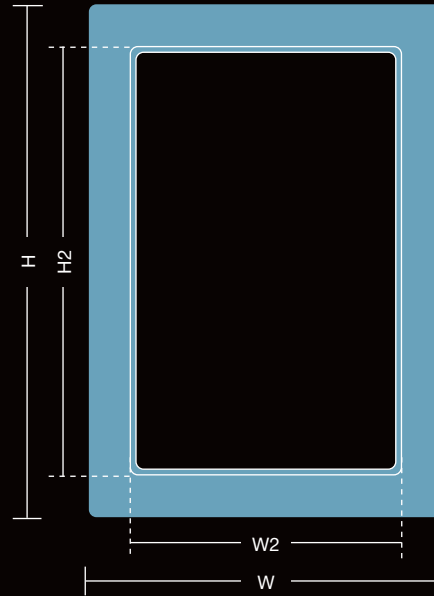
Aperture Sizes

Prory frame



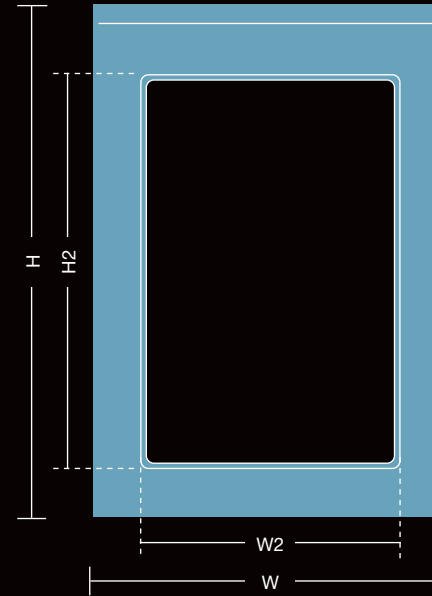
Door Height (H)	Door Width (W)	Aperture Height (H2)	Aperture Width (W2)
895mm	497mm	724mm	326mm
715mm	497mm	544mm	326mm
715mm	397mm	544mm	226mm
355mm	497mm	497mm	326mm

Urbani frame



Door Height (H)	Door Width (W)	Aperture Height (H2)	Aperture Width (W2)
895mm	497mm	777mm	379mm
715mm	597mm	597mm	479mm
715mm	497mm	597mm	379mm
715mm	397mm	597mm	279mm
355mm	497mm	237mm	379mm

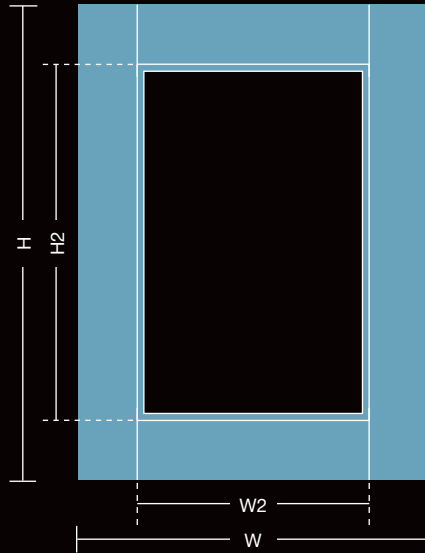
Jazi frame



Door Height (H)	Door Width (W)	Aperture Height (H2)	Aperture Width (W2)
895mm	497mm	727mm	354mm
715mm	497mm	547mm	354mm
715mm	397mm	547mm	254mm
355mm	997mm	187mm	854mm
355mm	797mm	187mm	654mm
355mm	597mm	187mm	454mm
355mm	497mm	187mm	354mm

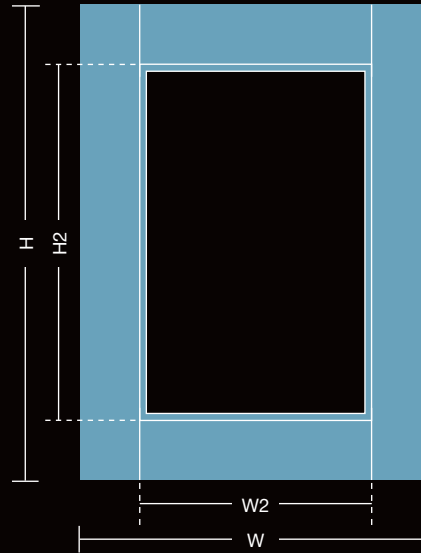
Aperture Sizes

Hayton frame



Door Height (H)	Door Width (W)	Aperture Height (H2)	Aperture Width (W2)
355mm	496mm	209mm	350mm
355mm	996mm	209mm	450mm
715mm	396mm	569mm	250mm
715mm	496mm	569mm	350mm
715mm	596mm	569mm	450mm

Westwood/Eastwood frame

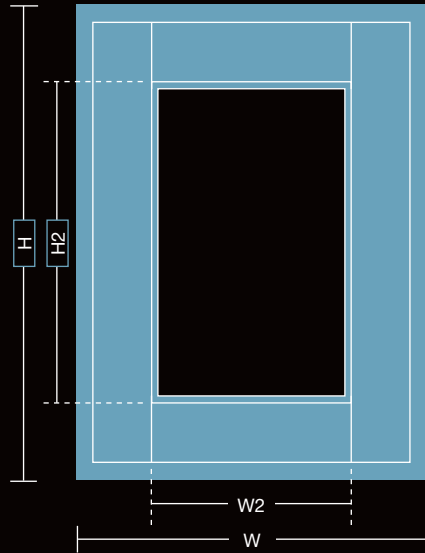


Door Height (H)	Door Width (W)	Aperture Height (H2)	Aperture Width (W2)
355mm	496mm	162mm	300mm*
355mm	996mm	162mm	800mm*
715mm	396mm	522mm	200mm
715mm	496mm	522mm	300mm
715mm	596mm	522mm	400mm
895mm	496mm	702mm	300mm
1065mm	496mm	872mm	300mm

*Size not available in Eastwood

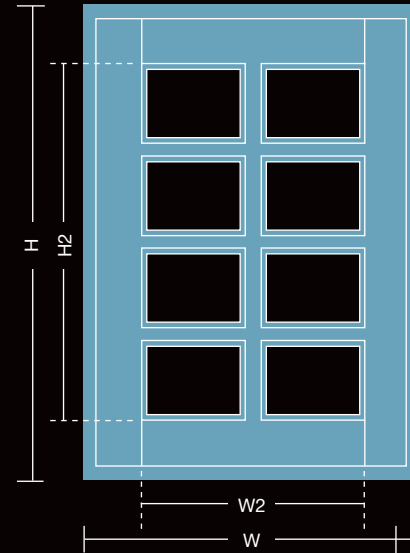
Aperture Sizes

Gainsborough frame



Door Height (H)	Door Width (W)	Aperture Height (H2)	Aperture Width (W2)
355mm	496mm	135mm	276mm
355mm	996mm	135mm	776mm
715mm	396mm	495mm	176mm
715mm	496mm	495mm	276mm
715mm	596mm	495mm	376mm
895mm	496mm	675mm	276mm
1065mm	496mm	845mm	276mm

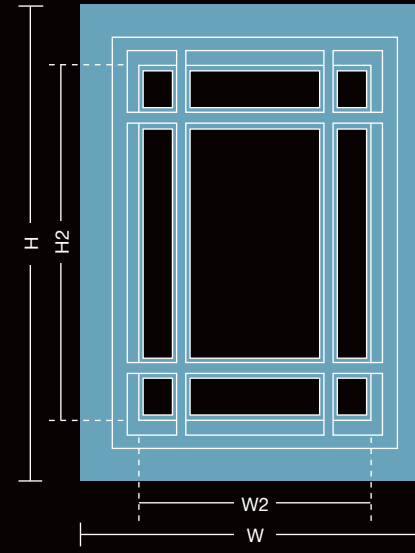
Gainsborough frame with grille



Door Height (H)	Door Width (W)	Aperture Height (H2)	Aperture Width (W2)
715mm	496mm	495mm	276mm
895mm	496mm	675mm	276mm
1065mm	496mm	845mm	276mm

715 x 496mm has a 3 x 2 grille.
895 x 496mm and 1065 x 496mm have a 4 x 2 grille (as shown).

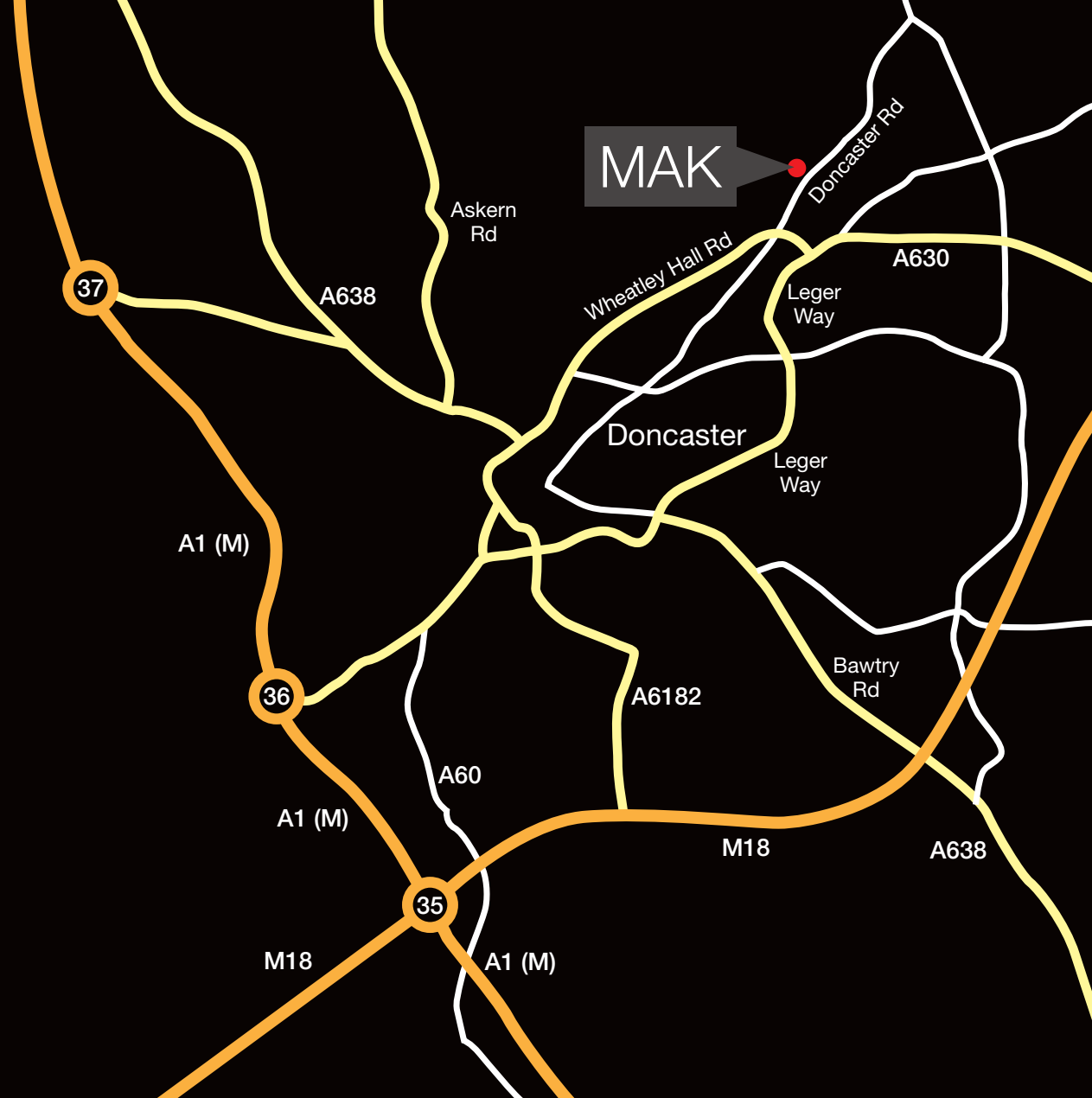
Glebe frame



Door Height (H)	Door Width (W)	Aperture Height (H2)	Aperture Width (W2)
355mm	496mm	170mm	312mm
355mm	996mm	170mm	812mm
715mm	396mm	530mm	212mm
715mm	496mm	530mm	312mm
715mm	596mm	530mm	412mm
895mm	496mm	710mm	312mm
1065mm	496mm	880mm	312mm

MAK Distribution is ideally placed in a central distribution network with close links to major motorways. We offer nationwide delivery to your specified address. Alternatively you can call and collect and whilst here meet the team and have a look at our showroom and presentation area showcasing our kitchen ranges.

- Close to M18 Junction 4 (2 miles)
- Robin Hood Airport (11 miles)
- Doncaster Train Station (4 miles).



MAK Distribution Ltd

Units 3-6 Century Close, Kirk Sandall Industrial Estate, Doncaster, South Yorkshire, DN3 1TR

T: 01302 888744 F: 01302 888687 E: sales@makdistribution.co.uk www.makdistribution.co.uk

